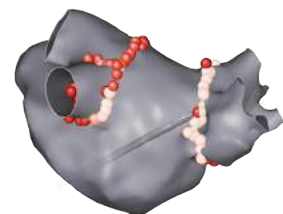
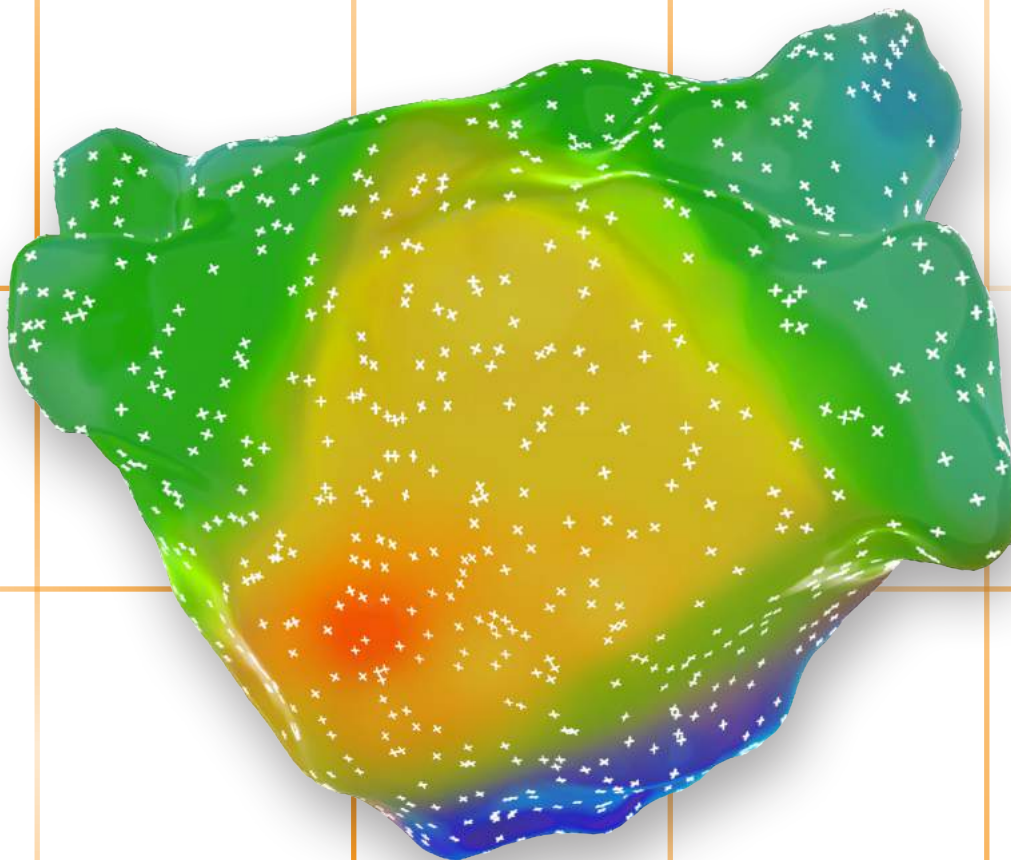


CATALOGUE 2015



Biosense Webster®

PART OF THE *Johnson & Johnson* FAMILY OF COMPANIES

Biosense Webster, a division of Johnson & Johnson Medical NV/SA

Biosense Webster (BW) for EMEA is recognized worldwide as a leader in the technology for the diagnosis and treatment of cardiac arrhythmias.

The first deflectable tip catheter was pioneered by Will Webster more than three decades ago. Ever since, Biosense Webster has defined the state of design and craftsmanship in diagnostic and therapeutic cardiac catheters. To date, we offer more electrophysiology catheter designs than anyone else in the industry. Beyond the numbers, our continuous pursuit of practical innovation has led to a steady flow of breakthrough designs.

At the same time, Biosense Webster has delivered numerous mapping and navigation innovations to advance the science and practice of electrophysiology. Ongoing research and development at Biosense Webster has given electrophysiologists access to 3D, real-time, color-coded views into the heart's electrical activity, allowing diagnosis and treatment with increasing precision. Strong collaboration with leaders in related industries is pushing the clinical boundaries still further, thanks to such new technologies as the CARTO® 3 System, the catheters and software modules of the CARTO SMARTTOUCH™ Technology and the irrigated multi-electrode mapping and ablation of the nMARQ™ Catheter.

Guided by the needs of electrophysiologists and cardiologists, Biosense Webster has pioneered innovative technological advancements for more than thirty years. Some might call this quite a heritage. At Biosense Webster, we say "It's just the beginning".

We are proud to present you the catalogue for 2015.

Table of Contents

Curve Types / Tips and Connectors

Fixed Curves	
Diagnostic Catheter.....	11
Deflectable Curves	
Special Diagnostic Catheter	12
Uni-Directional Diagnostic and Ablation Catheter	13
Bi-Directional Diagnostic and Ablation Catheter	14
Tip Electrodes	16
Connectors	
Connectors for CELSIUS® Ablation Catheter.....	17
Connectors for NAVISTAR® Catheter	17
Connectors to Generators	18

Therapeutic Catheters

NAVIGATION THERAPEUTIC CATHETERS

nMARQ™ Catheter.....	25
THERMOCOOL SMARTTOUCH® SF Uni-Directional Catheter	26
THERMOCOOL SMARTTOUCH® SF Bi-Directional Catheter.....	26
THERMOCOOL SMARTTOUCH® Uni-Directional Catheter.....	26
THERMOCOOL SMARTTOUCH® Bi-Directional Catheter	27
THERMOCOOL® SF NAV Uni-Directional Catheter	27
THERMOCOOL® SF NAV Bi-Directional Catheter.....	28
THERMOCOOL® SF NAV Uni-Directional Catheter with curve visualization.....	29
THERMOCOOL® SF NAV Bi-Directional Catheter with curve visualization	29
NAVISTAR® THERMOCOOL® Uni-Directional Catheter	30
NAVISTAR® THERMOCOOL® Bi-Directional Catheter	30
NAVISTAR® 4 mm Catheter.....	31
NAVISTAR® DS Catheter.....	31
NAVISTAR® RMT THERMOCOOL® Catheter	32
NAVISTAR® RMT 4 mm Catheter.....	32

NON-NAVIGATION THERAPEUTIC CATHETERS

THERMOCOOL® SF Uni-Directional Catheter	35
THERMOCOOL® SF Bi-Directional Catheter	35
EZ STEER® THERMOCOOL® Catheter.....	36
EZ STEER® 4 mm Bi-Directional Catheter.....	36
EZ STEER® DS Bi-Directional Catheter.....	37
CELSIUS® THERMOCOOL® Uni-Directional Catheter	37
CELSIUS® RMT THERMOCOOL® Catheter	38
CELSIUS® 4 mm Catheter Thermocouple.....	38
CELSIUS® 4 mm Catheter Thermistor	39
CELSIUS® 4 mm Braided Tip Catheter	39
CELSIUS FLTR™ 8 mm Uni-Directional Catheter	40
CELSIUS FLTR™ 8 mm Bi-Directional Catheter	40
CELSIUS® DS Catheter	41
CELSIUS® RMT Catheter.....	41

Diagnostic Catheters

Navigation Diagnostic Catheters

LASSO® 2515 NAV eco Variable Catheter.....	45
LASSO® NAV eco Catheter.....	45
LASSO® 2515 NAV Variable Catheter	46
LASSO® NAV Catheter	46
PENTARAY® NAV eco Catheter.....	47
DECANAV™ Catheter	47

Auto-ID Diagnostic Catheters

LASSO® Decapolar Catheter.....	48
LASSO® Duo-Decapolar Catheter.....	48
WEBSTER® CS Uni-Directional Catheter.....	49
WEBSTER® CS Bi-Directional Catheter	49
WEBSTER® Quadrapolar Catheter Deflectable	50
WEBSTER® Decapolar Catheter Deflectable	50
WEBSTER® HIS Catheter.....	51
WEBSTER® Quadrapolar Catheter Fixed.....	51
WEBSTER® Decapolar Catheter Fixed	51
HALO® XP Catheter	52
ISMUS® Catheter	52

Non Auto-ID Diagnostic Catheters

LASSO® 2515 Variable Mapping Catheter	53
LASSO® Mapping Catheter	53
WEBSTER® CS Bi-Directional Catheter	54
WEBSTER® Octopolar Catheter Deflectable	54
WEBSTER® Hexapolar Catheter Deflectable	55
WEBSTER® Quadrapolar Catheter Deflectable	55
WEBSTER® Decapolar Catheter Deflectable	56
WEBSTER® Decapolar Catheter Fixed	57
WEBSTER® Hexapolar Catheter Fixed	57
WEBSTER® Quadrapolar Catheter Fixed.....	58
WEBSTER® Duo-Decapolar Catheter.....	59
HALO® XP Tricuspid Mapping Catheter	59
ISMUS® Catheter	59
AVAIL® Bipolar Fixed Shape Catheter	60
AVAIL® Quadrapolar Fixed Shape Catheter.....	60
CRISTACATH® Catheter	61
PARAHISIAN® Catheter	61

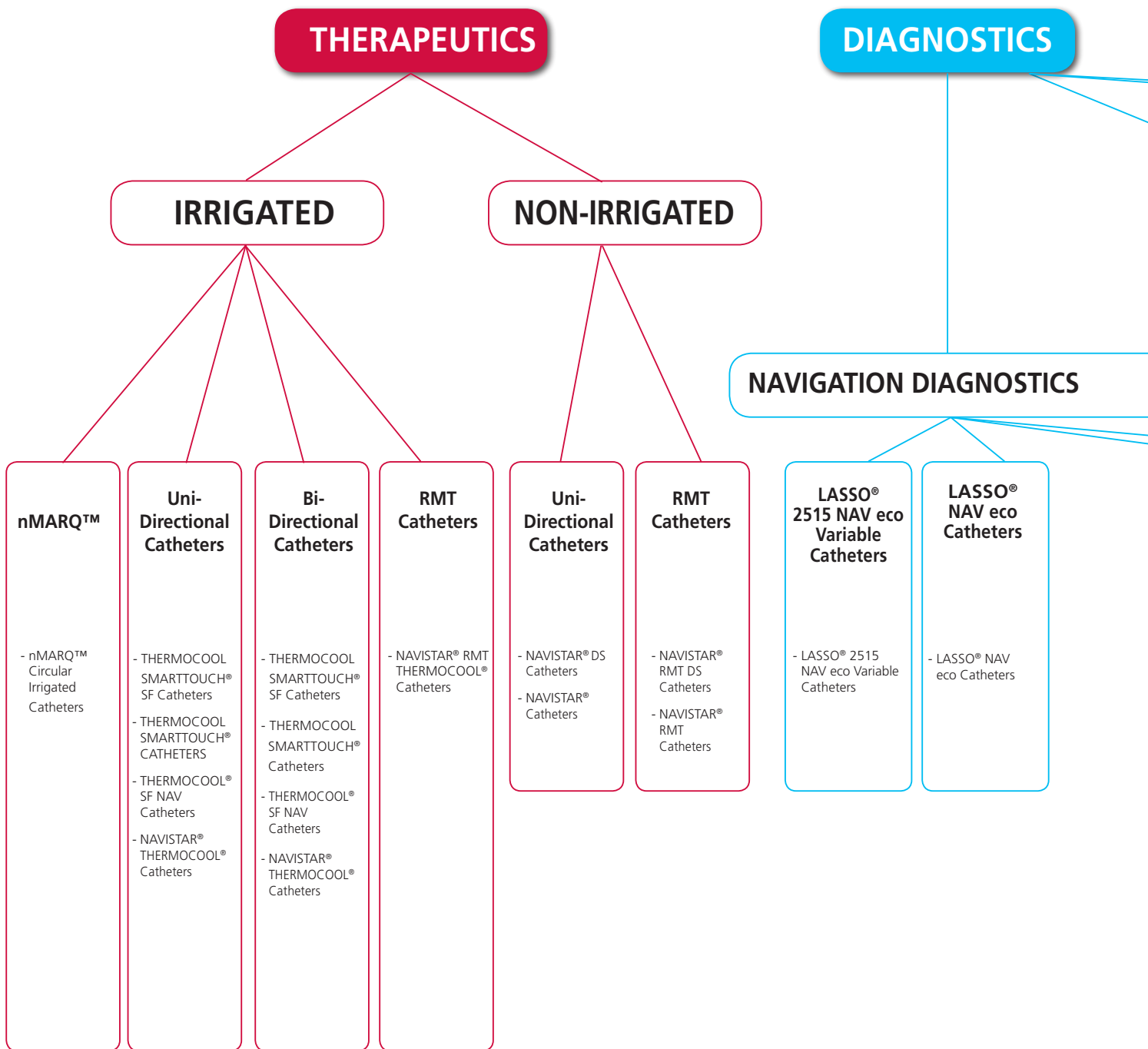
	Pediatric Catheter.....	61
Access		
	Guiding Sheaths	
	PREFACE® Guiding Sheaths for EP.....	65
	PREFACE® Guiding Sheaths.....	65
	MOBICATH® Sheath.....	66
	Temporary Pacing Leads	
	QSTIM® Catheter Temporary Pervenous Pacing Leads.....	67
	Pervenous Lead introducer Set.....	67
	Content of a Pervenous Lead Introducer Set.....	67
	Transseptal Needles	
	HEARTSPAN™ Transseptal Needles.....	68
Implantable Devices		
	The COHEREX WAVECREST® LAA Implant	
	Device Description.....	71
	Implant Characteristics.....	71
	COHEREX WAVECREST® LAA Implant.....	72
	Sheath ordering information.....	72
UltraSound Catheters		
	Ultrasound Catheters	
	SOUNDSTAR® 3D eco Catheter.....	75
	SOUNDSTAR® eco 8F Catheter*.....	75
	SOUNDSTAR® 3D Ultrasound Catheter.....	76
	ACUNAV™ 10F Ultrasound Catheter.....	76
	ACUNAV™ 8F Ultrasound Catheter.....	77
	System Compatibility	
	CARTOSOUND® Module System Compatibility**.....	78
	ACUNAV™ Catheter System Compatibility.....	78
RF Generators and Pump Systems		
	nMARQ™ System	
	nMARQ™ System.....	81
	nMARQ™ System Generator components and spare parts.....	82
	nMARQ™ System Service Contracts.....	83
	SMARTABLATE™ System	
	SMARTABLATE™ System.....	85
	SMARTABLATE™ System Diagram.....	86
	SMARTABLATE™ System Service Contracts.....	87
	Stockert EP Shuttle Generator	
	Stockert EP Shuttle RF Generators.....	88
	Indifferent Electrodes and Corresponding Connection Cables.....	88
	Spare Parts and Others.....	89
	Stockert EP Shuttle Accessories.....	90
	Service Contracts.....	90
	COOLFLOW® Pump	
	COOLFLOW® Pump Set.....	91
	COOLFLOW® Pump Tubing ¹	91
	COOLFLOW® Pump Accessories.....	92
	Service Contracts.....	92
	Diagram - Fully Integrated COOLFLOW® Pump System.....	93
Systems		
	CARTO® 3 System	
	CARTO® 3 System.....	97
	CARTO® 3 System Accessories.....	97
	CARTO® 3 System Software Module.....	99
	CARTO® 3 System Service Contracts.....	99-100
	CARTO® 3 System External Reference Patch.....	101
Cables		
	Charts	
	CONNECTION OF CHOICE®Chart.....	104-105
	nMARQ™ System Cable Connection Chart.....	106-109
	Cables	
	CARTO® 3 System Cables.....	110
	nMARQ™ System Cables.....	111
	Interface Cable EP Shuttle RF Generator.....	112
	Interface SMARTABLATE™ System Cables.....	112
	Non-Navigation	
	Non-Navigation DIAGNOSTIC CABLES.....	113
	Non-Navigation ABLATION CABLES.....	113
	Reverse Cables	
	Reverse Cables.....	114
Index		

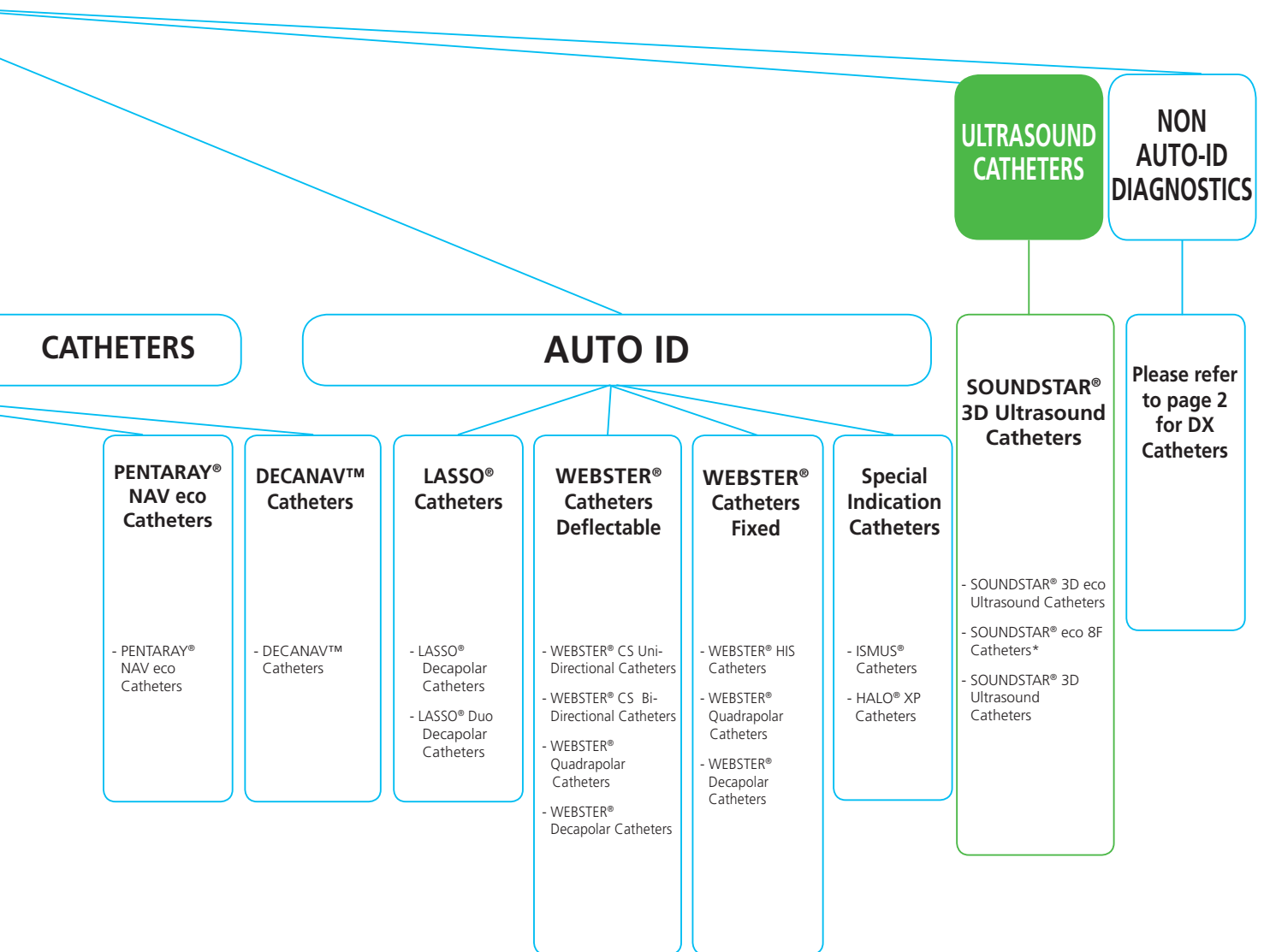
* This product is not regulatory approved and not commercially available.

Please contact your local BW representative for availability.

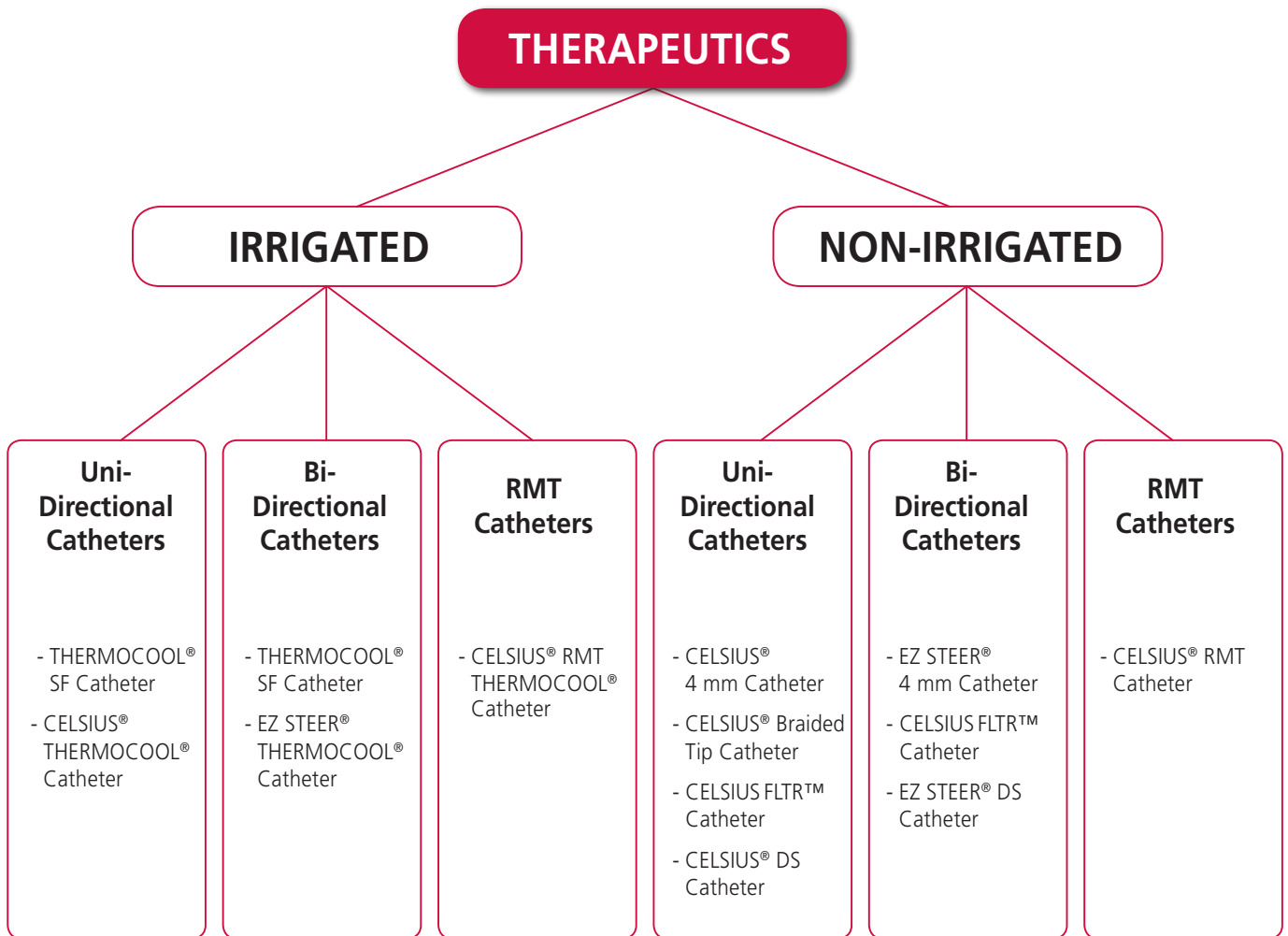
** Please contact your Biosense Webster representatives for further details on exact compatible versions.

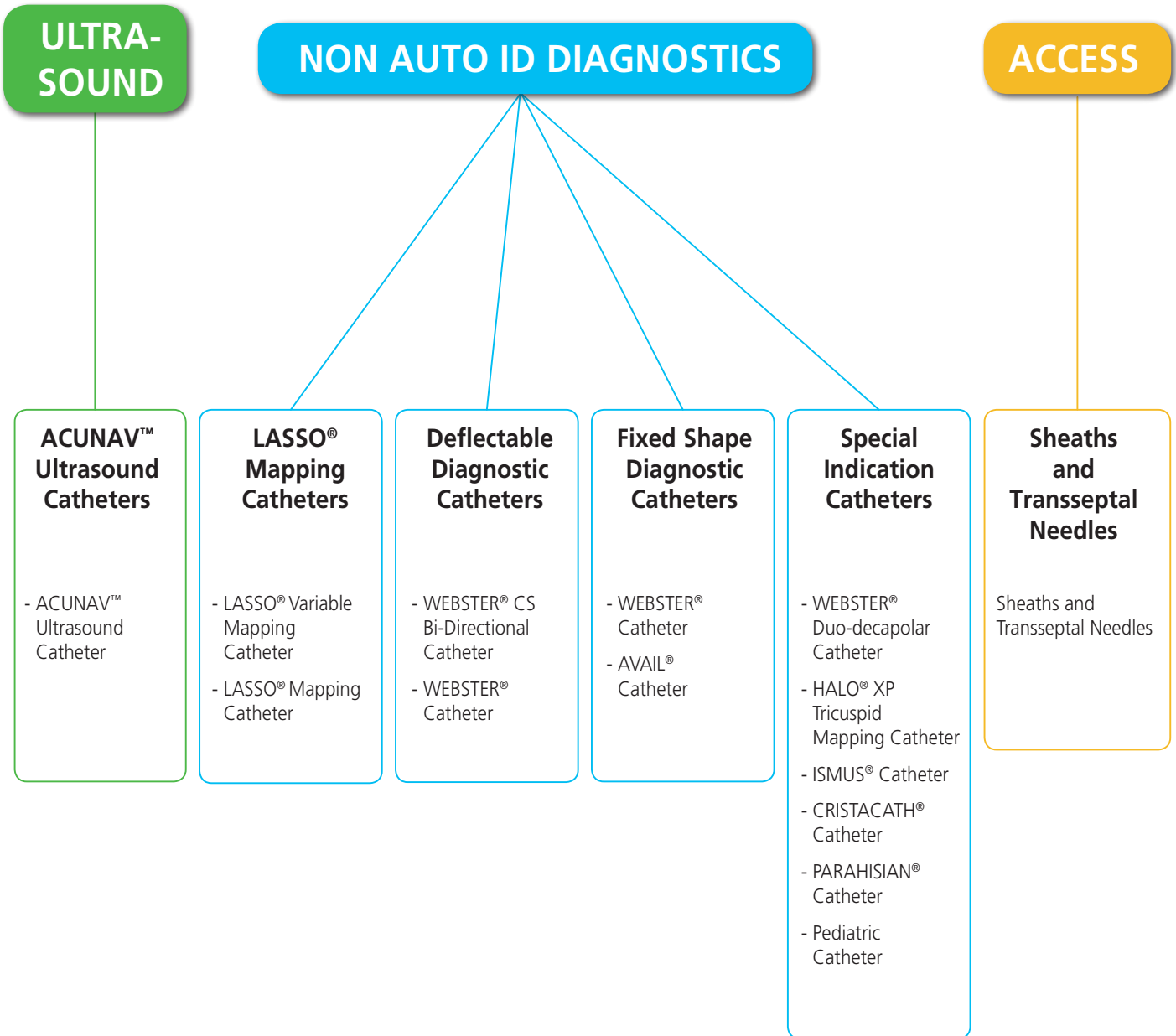
1 Tubing to be used with COOLFLOW® Pump.





* This product is not regulatory approved and not commercially available. Please contact your local BW representative for availability.





Addresses

Austria

Johnson & Johnson
Medical Products GmbH
Vorgartenstraße 206B
1020 Vienna, Austria
Tel: +43 1360250

Belgium

European HQ
Biosense Webster
Leonardo Da Vincilaan 15
Diegem 1831, Belgium
Tel: +32 27463401

Czech Republic

Johnson & Johnson, s.r.o.
Karla Englise 3201/6
15000 Praha 5, Czech Republic
Tel: +420 227012669

Denmark

Filial af Johnson & Johnson AB
Bregnerødvei 133
DK 3460 Birkerød, Denmark
Tel: +45 45948200

Dubai

Johnson & Johnson (Middle East), Inc
Dubai Health Care City
Building 14, Level 6
PO Box 505080
Dubai, UAE
Tel: +971 (0)4 4297 200

Egypt

Johnson & Johnson (Medical Egypt), Inc
Florida Mall, Sheraton Heliopolis
Level 5
1229 El Sheikh Aly Gad El Hak Square
Cairo, Egypt
Tel: +2 (0)222 685 026

Finland

Johnson & Johnson Finland
Vaisalantie 2
FI - 02130 Espoo, Finland
Tel: +358 207531500

France

Biosense Webster France
Rue Camille Desmoulins TSA 71001
92787 Issy-les-Moulineaux, France
Tel: +33 155003756

Germany

Cordis Medizinische Apparate GmbH
Biosense Webster
Robert-Koch-Straße 1
22851 Norderstedt, Germany
Tel: +49 1802999112

Greece

Johnson & Johnson Greece
Aegialias & Epidavrou 4, Maroussi
15125 - Athens, Greece
Tel: +30 2106875500

Hungary

Johnson & Johnson
Krisztina Palace
1123 Budapest
Nagyenyed u. 8-14, Hungary
Tel: +36 23513800

Ireland

Biosense Webster, Johnson & Johnson
(Ireland) Limited Airton Road,
Tallaght, Dublin 24, Ireland
Tel: +353 14665200

Israel

Johnson & Johnson Israel
Kibbutz Shefayim, Kibbutz Shefayim
60990, Israel
Tel: +972 99601722

Italy

Johnson & Johnson Medical
S.p.A., BIOSENSE WEBSTER
Via del Mare 56
00040 Pomezia, Roma, Italy
Tel: +39 06911941

Latvia

Johnson & Johnson AB Latvia branch
Mukusalas street 101
Riga, LV-1004, Latvia
Tel: +371 67103407

The Netherlands

Johnson & Johnson Medical BV
Computerweg 14, 3821 AB
Amersfoort, Postbus 188, 3800 AD
Amersfoort, The Netherlands
Tel: +31 334500739

Norway

Johnson & Johnson AB
PB 144, 1325 Lysaker
Drammensveien 288 N-0283, Norway
Tel: +47 66981030

Poland

Johnson & Johnson Poland
ul. Ilzecka 24
02135 Warszawa, Poland
Tel: +48 667607139

Portugal

Johnson & Johnson Medical Iberia
Biosense Webster
Estrada Consiglieri Pedroso, 69 A
Queluz de Baixo
2730-055 Barcarena, Portugal
Tel: +351 214368835

Russia

Johnson & Johnson Russia
Krylatskaya Str. 17, bld. 3, floor 2
121614 Moscow, Russia
Tel: +7 4955807777

Saudi Arabia

Johnson & Johnson Medical KSA
Al Rosais commercial center
appt. No. 308, Olaya st.
PO Box 65305 Riyadh 11556, KSA
Tel: +966 38874790

Slovenia

Johnson & Johnson SE
Smartinska cesta 53
1000 Ljubljana, Slovenia
Tel: +386 140118800

South-Africa

Biosense Webster
2 Medical street, Halfway House
Johannesburg, 1685, South Africa
Tel: +27 112651000

Spain

Johnson & Johnson Medical Iberia
Biosense Webster
Pº de las Doce Estrellas 5-7
Campo de Las Naciones
28042 Madrid, Spain
Tel: +34 917228262

Sweden

Biosense Webster, Johnson & Johnson
AB, Staffansväg 2
191 84 Sollentuna, Sweden
Tel: +46 86262200

Switzerland

Johnson & Johnson AG,
Biosense Webster
Gubelstrasse 34
6300 Zug, Schweiz
Tel: +41 582312333

Turkey

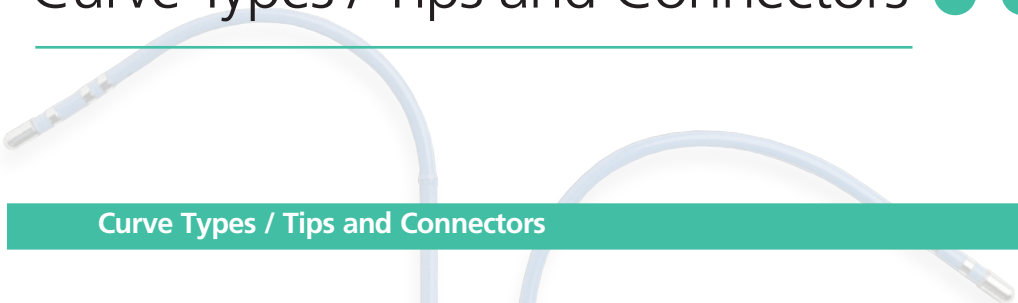
Johnson & Johnson Medical Turkey
Ertürk Sokak Keceli Plaza No:13
Kavacik Beykoz Istanbul, Turkey
Tel: +90 2165382100

UK

Biosense Webster, Johnson & Johnson
Medical Ltd, Pinewood Campus
Nine Mile Ride, Wokingham
Berkshire RG40 3EW, United Kingdom
Tel: +44 1344871000



Curve Types / Tips and Connectors ● ● ● ● ● ●



Curve Types / Tips and Connectors

Fixed Curves

Diagnostic Catheters.....	11
---------------------------	----

Deflectable Curves

Special Diagnostic Catheters	12
Uni-Directional Diagnostic and Ablation Catheters	13
Bi-Directional Diagnostic and Ablation Catheters.....	14

Tip Electrodes.....

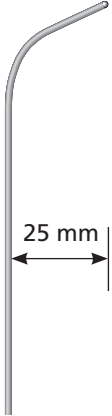
.....	16
-------	----

Connectors

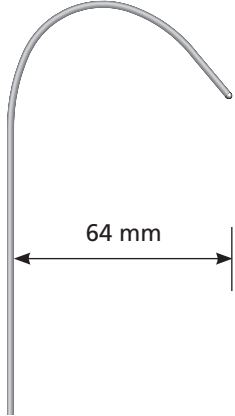
Connectors for CELSIUS® Ablation Catheter	17
Connectors for NAVISTAR® Catheter	17
Connectors to Generators.....	18



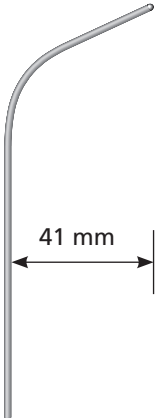
Diagnostic Catheters



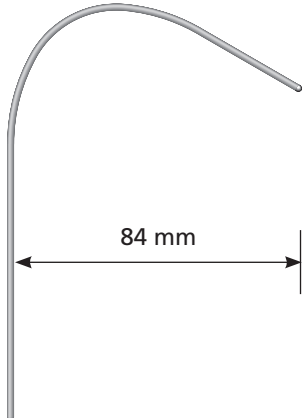
A Curve
(Josephson Type / Yellow)



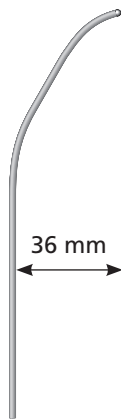
D Curve
(Damato Type / Blue)



F Curve
(Cournand Type / Black)

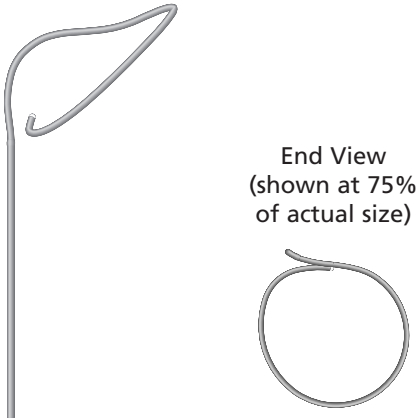


G Curve
(Coronary Sinus / Orange)

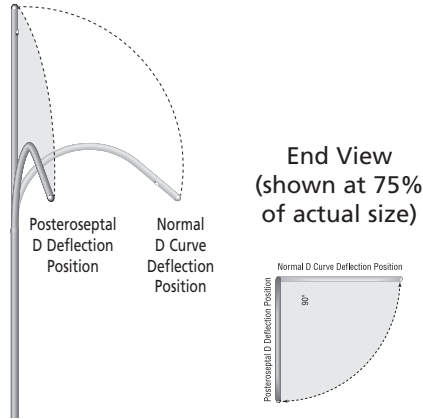


P Curve
(Coronary Sinus – From Above)

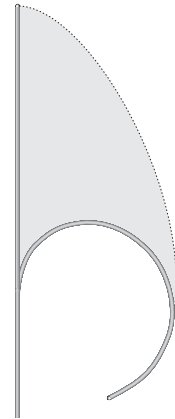
Special Diagnostic Catheters



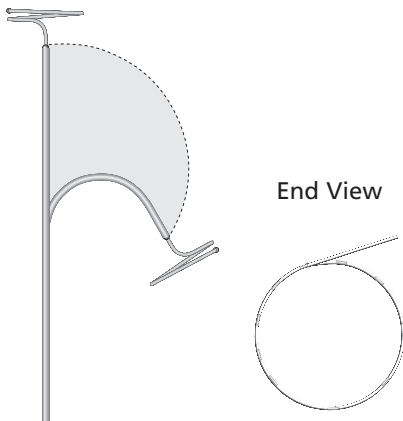
HALO® XP Catheter Curve



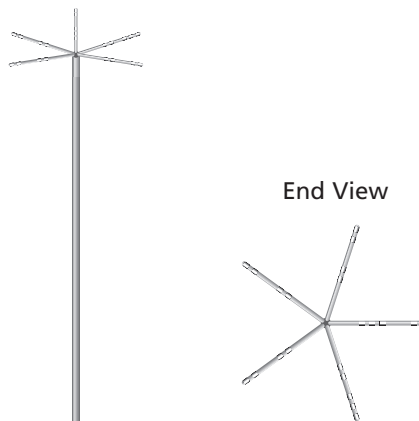
Posteroseptal D Curve
(Blue with Red band)



ISMUS® Cath Catheter Curve
(160° Type)



LASSO® Catheter Curve
(D Curves)



PENTARAY® Catheter Curve
(Shaft Deflection – D Curve)

Uni-Directional Diagnostic and Ablation Catheters

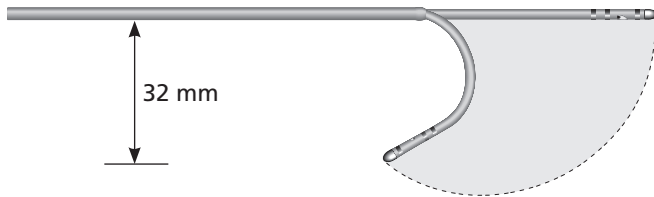
Standard Insertion Lengths

5F.....	80 cm
6F.....	92 cm
7F.....	115 cm
8F.....	90 cm

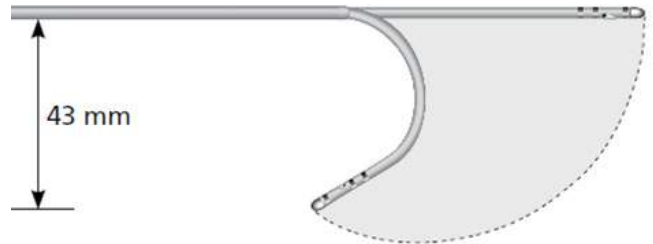


The Biosense Webster unidirectional catheters are steered utilizing a push-pull mechanism and is well-known for its ease of use, reliability and immediate response.

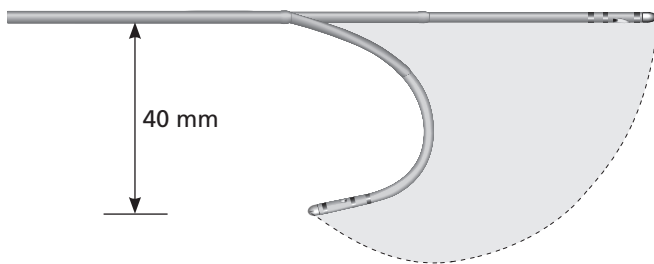
A Curve
(Yellow / 3.8 cm) ●



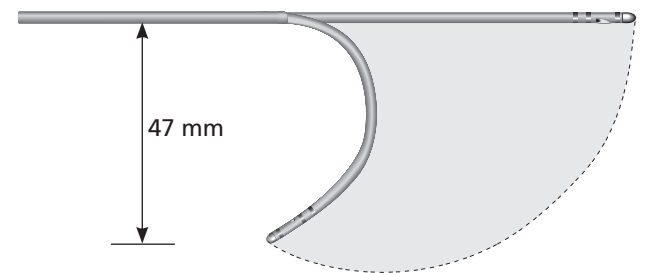
B Curve
(Red / 5.1 cm) ●



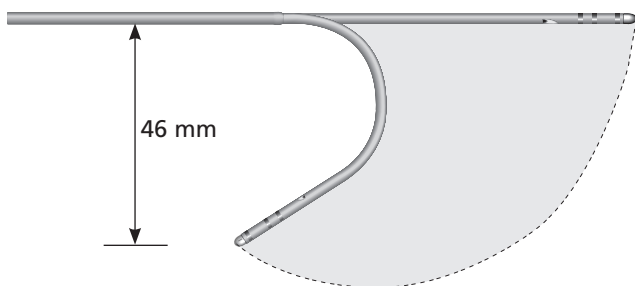
C Curve
(Green / 6.4 cm) ●



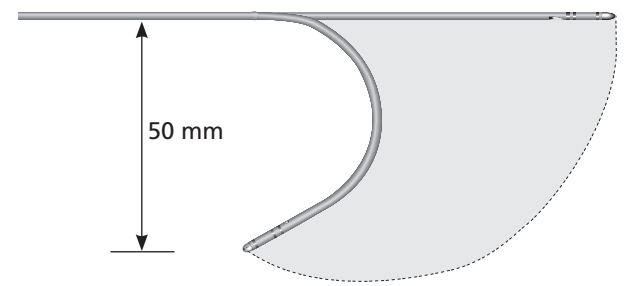
D Curve
(Blue / 6.4 cm) ●



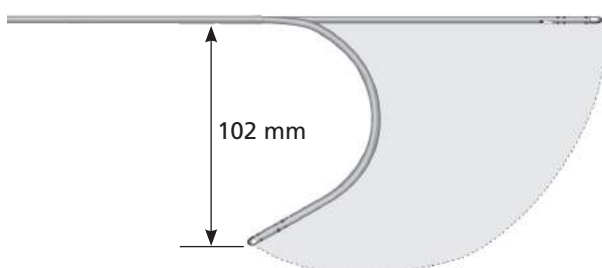
E Curve
(White / 6.4 cm) ○



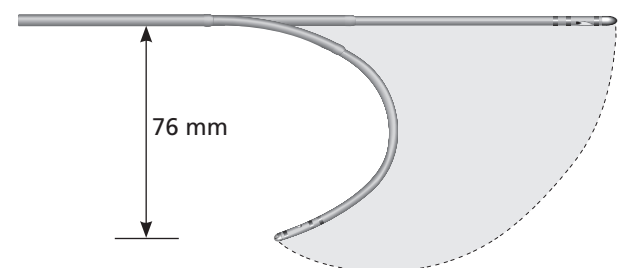
F Curve
(Orange / 7.6 cm) ●



J Curve
(Black / 10.2 cm) ●

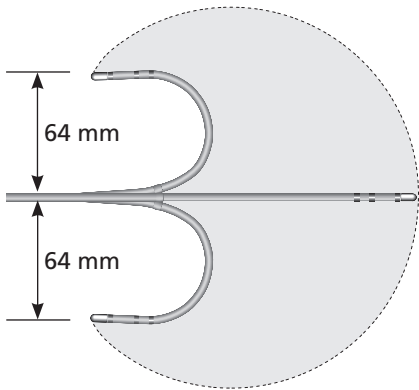


K Curve
(Black / 7.6 cm) ●

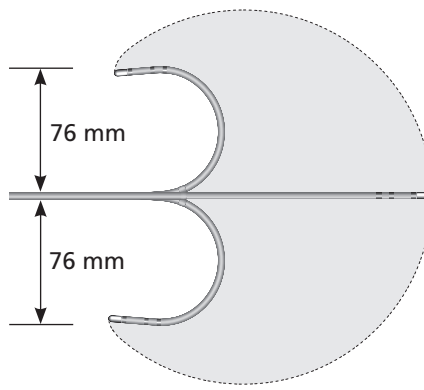


Bi-Directional Diagnostic and Ablation Catheters

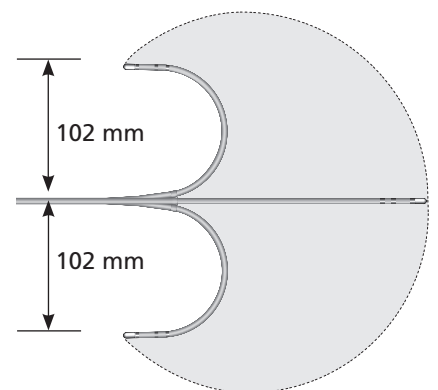
EZ STEER® Bi-Directional Catheter put amazing responsiveness, predictability, and comfort close at hand. Utilizing a patented Biosense Webster micro-tensioning system that enables micromovement abilities, they provide physicians with a new level of continuous control, smooth deflections, and procedural confidence.



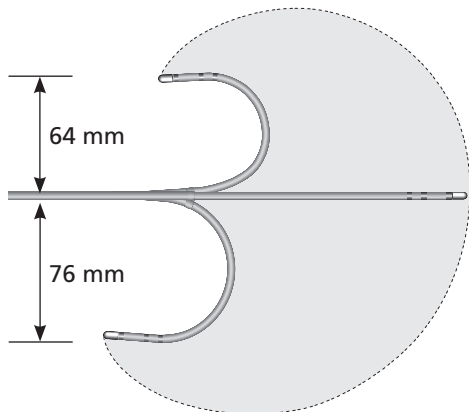
D-D Curve
(Blue / Blue)



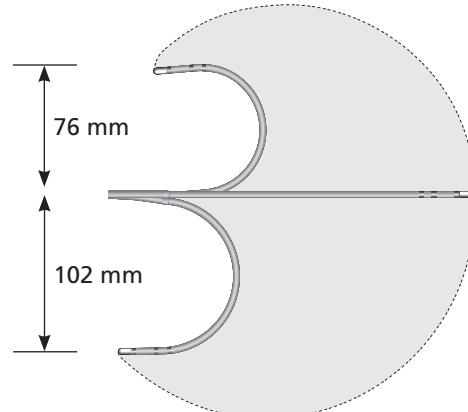
F-F Curve
(Orange / Orange)



J-J Curve
(Black / Black)



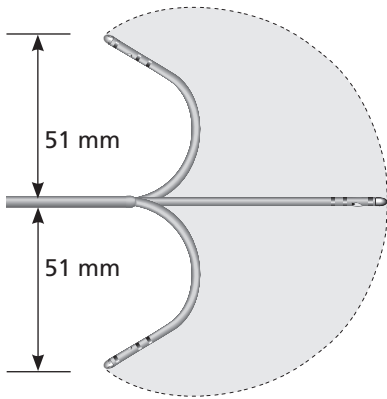
D-F Curve
(Blue / Orange)



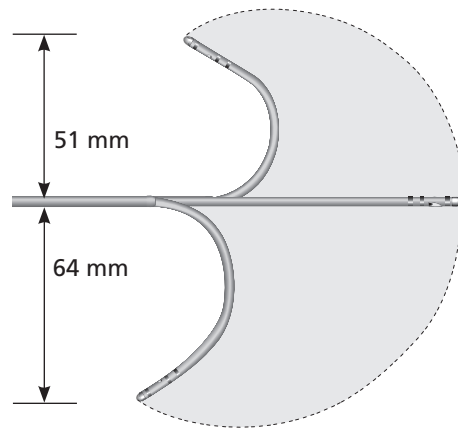
F-J Curve
(Orange / Black)



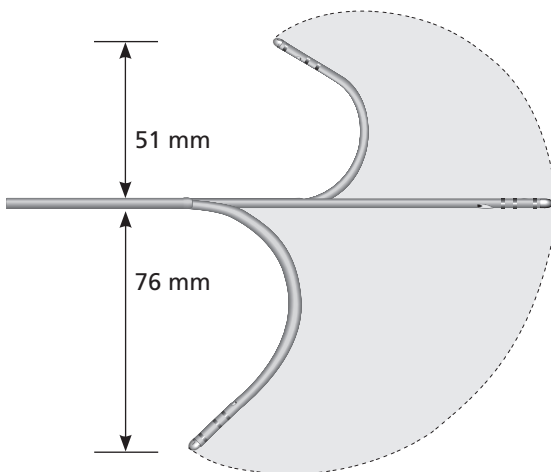
Bi-Directional Diagnostic and Ablation Catheters



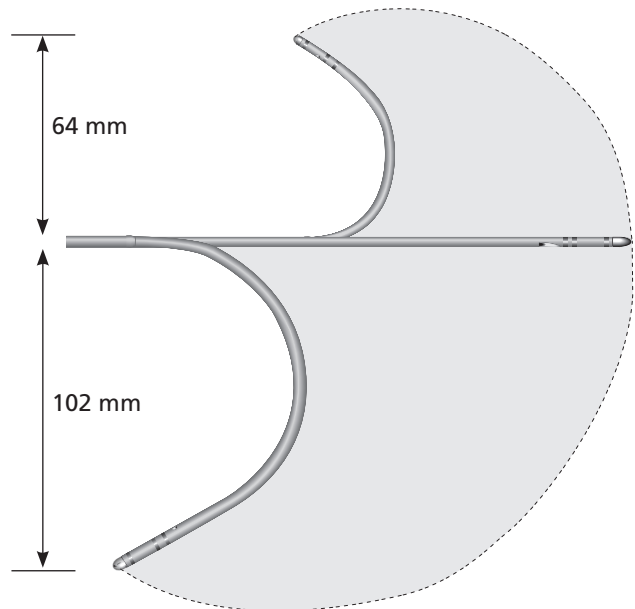
B-B Curve
(Red / Red)



B-D Curve
(Red / Blue)



B-F Curve
(Red / Orange)



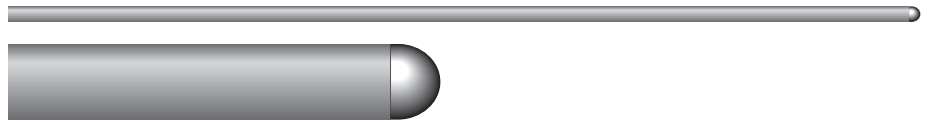
D-J Curve
(Blue / Black)



TIP ELECTRODES

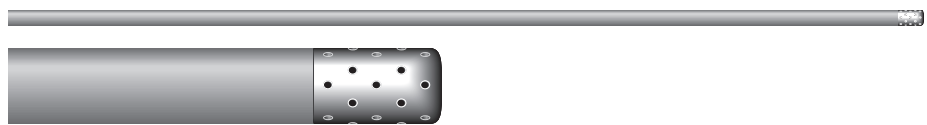
1 mm

(Diagnostic Catheter)



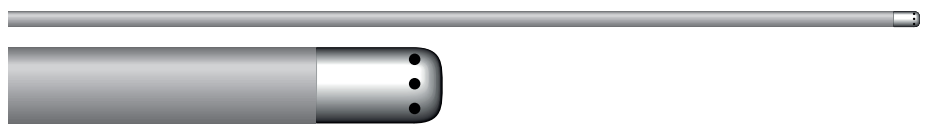
3.5 mm Irrigated

(Ablation Catheter)
THERMOCOOL® SF Catheter



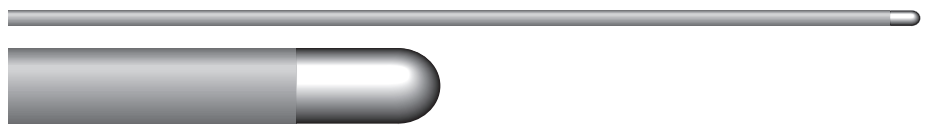
3.5 mm Irrigated

(Ablation Catheter)
THERMOCOOL® Catheter tip



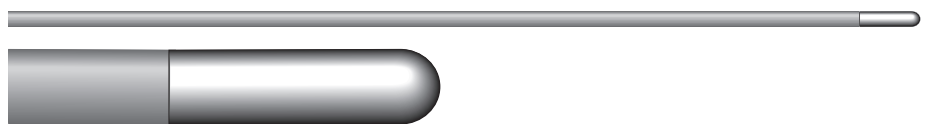
4 mm

(Diagnostic and Ablation Catheter)

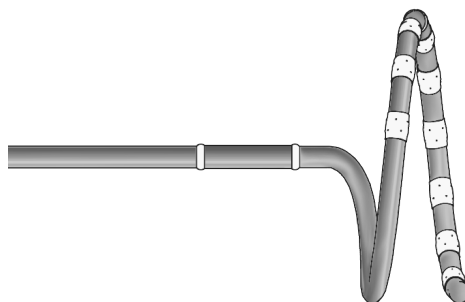


8 mm Dual Sensor

(Ablation Catheter)



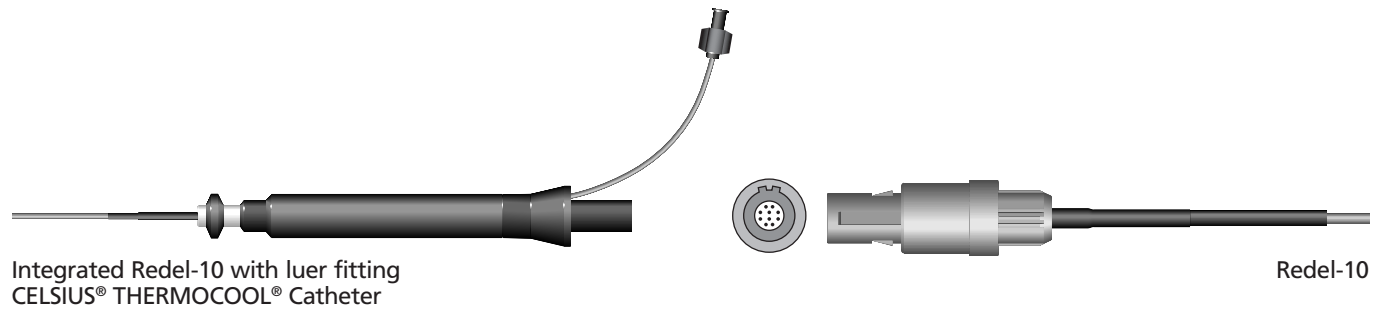
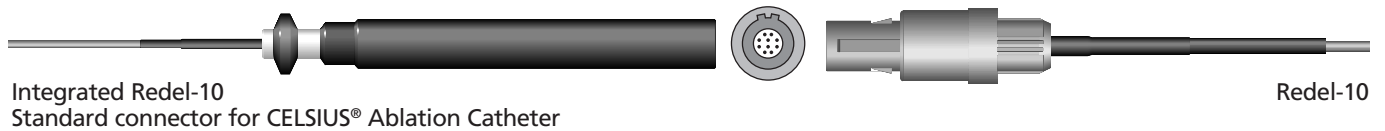
**nMARQ™ Irrigated
Ablation Catheter**



Connectors for CELSIUS® Ablation Catheter

Connector on therapeutic EP Catheter

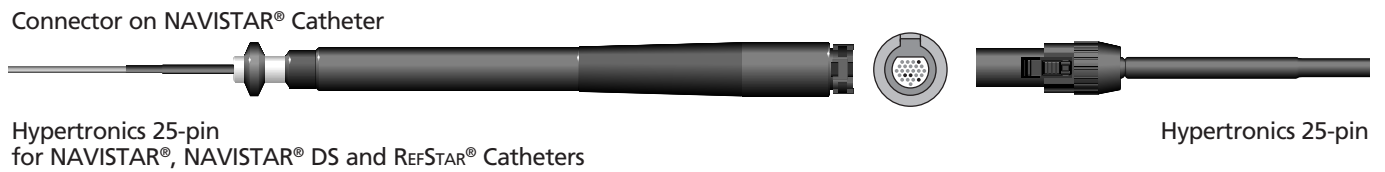
Connector on Connection Cable



Connectors for NAVISTAR® Catheter

Connector on Catheter

Connector on Connection Cable



Connectors to Generators*

Connector

Generator



Redel-10 (THERMOCOOL® Catheter and Thermistor)

Stockert
EP Shuttle
RF Generator

* Refers to Stockert RF Generator connectors only.

NOTES

A series of horizontal dotted lines for writing notes.



Therapeutic Catheters



NAVIGATION THERAPEUTIC CATHETERS 23

- nMARQ™ Catheter25
- THERMOCOOL SMARTTOUCH® SF Uni-Directional Catheter*26
- THERMOCOOL SMARTTOUCH® SF Bi-Directional Catheter*26
- THERMOCOOL SMARTTOUCH® Uni-Directional Catheter.....26
- THERMOCOOL SMARTTOUCH® Bi-Directional Catheter27
- THERMOCOOL® SF NAV Uni-Directional Catheter27
- THERMOCOOL® SF NAV Bi-Directional Catheter.....28
- THERMOCOOL® SF NAV Uni-Directional Catheter with curve visualization.....29
- THERMOCOOL® SF NAV Bi-Directional Catheter with curve visualization29
- NAVISTAR® THERMOCOOL® Uni-Directional Catheter30
- NAVISTAR® THERMOCOOL® Bi-Directional Catheter30
- NAVISTAR® 4 mm Catheter.....31
- NAVISTAR® DS Catheter31
- NAVISTAR® RMT THERMOCOOL® Catheter32
- NAVISTAR® RMT 4 mm Catheter.....32

NON-NAVIGATION THERAPEUTIC CATHETERS 33

- THERMOCOOL® SF Uni-Directional Catheter35
- THERMOCOOL® SF Bi-Directional Catheter*35
- EZ STEER® THERMOCOOL® Catheter.....36
- EZ STEER® 4 mm Bi-Directional Catheter36
- EZ STEER® DS Bi-Directional Catheter37
- CELSIUS® THERMOCOOL® Uni-Directional Catheter37
- CELSIUS® RMT THERMOCOOL® Catheter38
- CELSIUS® 4 mm Catheter Thermocouple38
- CELSIUS® 4 mm Catheter Thermistor39
- CELSIUS® 4 mm Braided Tip Catheter39
- CELSIUS FLTR™ 8 mm Uni-Directional Catheter.....40
- CELSIUS FLTR™ 8 mm Bi-Directional Catheter40
- CELSIUS® DS Catheter41
- CELSIUS® RMT Catheter41

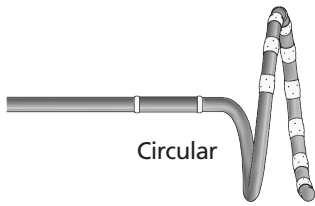
* This product is not regulatory approved and not commercially available.

Therapeutic Catheters

NAV

NAVIGATION THERAPEUTIC CATHETERS*	23
nMARQ™ Catheter	25
THERMOCOOL SMARTTOUCH® SF Uni-Directional Catheter	26
THERMOCOOL SMARTTOUCH® SF Bi-Directional Catheter.....	26
THERMOCOOL SMARTTOUCH® Uni-Directional Catheter.....	26
THERMOCOOL SMARTTOUCH® Bi-Directional Catheter	27
THERMOCOOL® SF NAV Uni-Directional Catheter	27
THERMOCOOL® SF NAV Bi-Directional Catheter.....	28
THERMOCOOL® SF NAV Uni-Directional Catheter with curve visualization.....	29
THERMOCOOL® SF NAV Bi-Directional Catheter with curve visualization	29
NAVISTAR® THERMOCOOL® Uni-Directional Catheter	30
NAVISTAR® THERMOCOOL® Bi-Directional Catheter.....	30
NAVISTAR® 4 mm Catheter.....	31
NAVISTAR® DS Catheter	31
NAVISTAR® RMT THERMOCOOL® Catheter	32
NAVISTAR® RMT 4 mm Catheter.....	32

nMARQ™ Catheter



European Ordering No.	Shape	French Size	Diameter	Number of Electrodes	Spacing	Temperature Sensor	Insertion Length
D132214	Circular	8.4F	20 mm-35 mm	10	4 mm	Thermocouple	115 cm

Associated Cable:

Catalog No.:	Connects
D133701	nMARQ™ Ablation Catheter to nMARQ™ Multi-Channel RF System

Associated Tubing:

Catalog No.:	Description
CFT001	COOLFLOW® Pump Tubing



Warning: nMARQ™ Catheter should never be connected directly to the CARTO® 3 System but to the nMARQ™ System.

NAVIGATION THERAPEUTIC CATHETERS

THERMOCOOL SMARTTOUCH® SF Uni-Directional Catheter*



European Ordering No.	Outer Diameter	Sheath Fit**	Curve	Tip Electrode	Spacing	Insertion Length
D134701	8F	≥8.5F	D ●	3.5 mm	1-6-2 mm	115 cm
D134702	8F	≥8.5F	F ●	3.5 mm	1-6-2 mm	115 cm
D134703	8F	≥8.5F	J ●	3.5 mm	1-6-2 mm	115 cm

THERMOCOOL SMARTTOUCH® SF Bi-Directional Catheter*



European Ordering No.	Outer Diameter	Sheath Fit**	Curve	Tip Electrode	Spacing	Insertion Length
D134801	8F	≥8.5F	D-D ●●	3.5 mm	1-6-2 mm	115 cm
D134802	8F	≥8.5F	F-F ●●	3.5 mm	1-6-2 mm	115 cm
D134803	8F	≥8.5F	J-J ●●	3.5 mm	1-6-2 mm	115 cm
D134804	8F	≥8.5F	F-J ●●	3.5 mm	1-6-2 mm	115 cm
D134805	8F	≥8.5F	D-F ●●	3.5 mm	1-6-2 mm	115 cm

THERMOCOOL SMARTTOUCH® Uni-Directional Catheter



European Ordering No.	Outer Diameter	Sheath Fit**	Curve	Tip Electrode	Number of Electrodes	Spacing	Insertion Length
D133601	8F	≥8.5F	D ●	3.5 mm	6	1-6-2 mm	115 cm
D133602	8F	≥8.5F	F ●	3.5 mm	6	1-6-2 mm	115 cm
D133603	8F	≥8.5F	J ●	3.5 mm	6	1-6-2 mm	115 cm

Associated Cable:

Catalog No.:	Connects
CR3434CT	Catheter to CARTO® 3 System PIU
39E43R	PIU to Stockert EP Shuttle Generator

Associated Tubing

Catalog No.:	Description
CFT001	COOLFLOW® Pump Tubing
SAT001	SMARTABLATE™ System Irrigation Tubing Set

* THERMOCOOL® SF Catheter requires an upgrade of the Stockert EP shuttle RF Generator to Software Version 1.037. Please contact your local BW representative.

** Compatible sheath size. To verify compatibility between sheath and catheter, advance catheter through sheath prior to insertion.

NAVIGATION THERAPEUTIC CATHETERS

THERMOCOOL SMARTTOUCH® Bi-Directional Catheter



European Ordering No.	Outer Diameter	Sheath Fit**	Curve	Tip Electrode	Number of Electrodes	Spacing	Insertion Length
D132701	8F	≥8.5F	D-D ●●	3.5 mm	6	1-6-2 mm	115 cm
D132702	8F	≥8.5F	F-F ●●	3.5 mm	6	1-6-2 mm	115 cm
D132703	8F	≥8.5F	J-J ●●	3.5 mm	6	1-6-2 mm	115 cm
D132704	8F	≥8.5F	F-J ●●	3.5 mm	6	1-6-2 mm	115 cm
D132705	8F	≥8.5F	D-F ●●	3.5 mm	6	1-6-2 mm	115 cm

Associated Cable:

Catalog No.:	Connects
CR3434CT	Catheter to CARTO® 3 System PIU
39E43R	PIU to Stockert EP Shuttle Generator

Associated Tubing

Catalog No.:	Description
CFT001	COOLFLOW® Pump Tubing
SAT001	SMARTABLATE™ System Irrigation Tubing Set

THERMOCOOL® SF NAV Uni-Directional Catheter*



European Ordering No.	Outer Diameter	Sheath Fit**	Curve	Tip Electrode	Number of Electrodes	Spacing	Insertion Length
D131801	8F	≥8F	B ●	3.5 mm	4 + 2	2-5-2 mm	115 cm
D131802	8F	≥8F	D ●	3.5 mm	4 + 2	2-5-2 mm	115 cm
D131803	8F	≥8F	F ●	3.5 mm	4 + 2	2-5-2 mm	115 cm
D131804	8F	≥8F	J ●	3.5 mm	4 + 2	2-5-2 mm	115 cm

Associated Cable:

Catalog No.:	Connects
CR3425CT	Catheter to CARTO® 3 System PIU
39E43R	PIU to Stockert EP Shuttle Generator
39E58M	Catheter to CARTO® XP System

Associated Tubing

Catalog No.:	Description
CFT001	COOLFLOW® Pump Tubing
SAT001	SMARTABLATE™ System Irrigation Tubing Set

* THERMOCOOL® SF Catheter requires an upgrade of the Stockert EP shuttle RF Generator to Software Version 1.037. Please contact your local BW representative.

** Compatible sheath size. To verify compatibility between sheath and catheter, advance catheter through sheath prior to insertion.

NAVIGATION THERAPEUTIC CATHETERS

THERMOCOOL® SF NAV Bi-Directional Catheter*



2-5-2 mm



European Ordering No.	Outer Diameter	Sheath Fit**	Curve	Tip Electrode	Number of Electrodes	Spacing	Insertion Length
BNI35BBH	8F	≥8F	B-B ●●	3.5 mm	4 + 2	2-5-2 mm	115 cm
BNI35BDH	8F	≥8F	B-D ●●	3.5 mm	4 + 2	2-5-2 mm	115 cm
BNI35BFH	8F	≥8F	B-F ●●	3.5 mm	4 + 2	2-5-2 mm	115 cm
BNI35DDH	8F	≥8F	D-D ●●	3.5 mm	4 + 2	2-5-2 mm	115 cm
BNI35DFH	8F	≥8F	D-F ●●	3.5 mm	4 + 2	2-5-2 mm	115 cm
BNI35DJH	8F	≥8F	D-J ●●	3.5 mm	4 + 2	2-5-2 mm	115 cm
BNI35FFH	8F	≥8F	F-F ●●	3.5 mm	4 + 2	2-5-2 mm	115 cm
BNI35FJH	8F	≥8F	F-J ●●	3.5 mm	4 + 2	2-5-2 mm	115 cm
BNI35JJH	8F	≥8F	J-J ●●	3.5 mm	4 + 2	2-5-2 mm	115 cm

Associated Cable:

Catalog No.:	Connects
CR3425CT	Catheter to CARTO® 3 System PIU
39E43R	PIU to Stockert EP Shuttle Generator
39E58M	Catheter to CARTO® XP System

Associated Tubing

Catalog No.:	Description
CFT001	COOLFLOW® Pump Tubing
SAT001	SMARTABLATE™ System Irrigation Tubing Set

* THERMOCOOL® SF Catheter requires an upgrade of the Stockert EP shuttle RF Generator to Software Version 1.037. Please contact your local BW representative.

** Compatible sheath size. To verify compatibility between sheath and catheter, advance catheter through sheath prior to insertion.

NAVIGATION THERAPEUTIC CATHETERS

THERMOCOOL® SF NAV Uni-Directional Catheter* with curve visualization



European Ordering No.	Outer Diameter	Sheath Fit**	Curve	Tip Electrode	Number of Electrodes	Spacing	Insertion Length
D131501	8F	≥8F	B ●	3.5 mm	4 + 2	2-5-2 mm	115 cm
D131502	8F	≥8F	D ●	3.5 mm	4 + 2	2-5-2 mm	115 cm
D131503	8F	≥8F	F ●	3.5 mm	4 + 2	2-5-2 mm	115 cm
D131504	8F	≥8F	J ●	3.5 mm	4 + 2	2-5-2 mm	115 cm

Associated Cable:

Catalog No.:	Connects
C3434CT	Catheter to CARTO® 3 System PIU

THERMOCOOL® SF NAV Bi-Directional Catheter* with curve visualization



European Ordering No.	Outer Diameter	Sheath Fit**	Curve	Tip Electrode	Number of Electrodes	Spacing	Insertion Length
BNI35BDCT	8F	≥8F	B-D ●●	3.5 mm	4 + 2	2-5-2 mm	115 cm
BNI35BFCT	8F	≥8F	B-F ●●	3.5 mm	4 + 2	2-5-2 mm	115 cm
BNI35FJCT	8F	≥8F	F-J ●●	3.5 mm	4 + 2	2-5-2 mm	115 cm

Associated Cable:

Catalog No.:	Connects
C3434CT	Catheter to CARTO® 3 System PIU

* THERMOCOOL® SF Catheter requires an upgrade of the Stockert EP shuttle RF Generator to Software Version 1.037. Please contact your local BW representative.

** Compatible sheath size. To verify compatibility between sheath and catheter, advance catheter through sheath prior to insertion.

NAVIGATION THERAPEUTIC CATHETERS

NAVISTAR® THERMOCOOL® Uni-Directional Catheter



European Ordering No.	Outer Diameter	Sheath Fit*	Curve	Tip Electrode	Number of Electrodes	Spacing	Insertion Length
34H17M	8F	≥8F	B ●	3.5 mm	4	2-5-2 mm	115 cm
34H27M	8F	≥8F	C ●	3.5 mm	4	2-5-2 mm	115 cm
34H37M	8F	≥8F	D ●	3.5 mm	4	2-5-2 mm	115 cm
34H57M	8F	≥8F	F ●	3.5 mm	4	2-5-2 mm	115 cm
34HJ7M*	8F	≥8F	J ●	3.5 mm	4	2-5-2 mm	115 cm

Associated Cable:

Catalog No.:	Connects
CR3425CT	Catheter to CARTO® 3 System PIU
39E43R	PIU to Stockert EP Shuttle Generator
39E58M	Catheter to CARTO® XP System

Associated Tubing

Catalog No.:	Description
CFT001	COOLFLOW® Pump Tubing
SAT001	SMARTABLATE™ System Irrigation Tubing Set

NAVISTAR® THERMOCOOL® Bi-Directional Catheter



European Ordering No.	Outer Diameter	Sheath Fit*	Curve	Tip Electrode	Number of Electrodes	Spacing	Insertion Length
36H33M	8F	≥8F	D-D ● ●	3.5 mm	4	2-5-2 mm	115 cm
36H35M	8F	≥8F	D-F ● ●	3.5 mm	4	2-5-2 mm	115 cm
36H55M	8F	≥8F	F-F ● ●	3.5 mm	4	2-5-2 mm	115 cm
36H5JM	8F	≥8F	F-J ● ●	3.5 mm	4	2-5-2 mm	115 cm
36HJJM	8F	≥8F	J-J ● ●	3.5 mm	4	2-5-2 mm	115 cm

Associated Cable:

Catalog No.:	Connects
CR3425CT	Catheter to CARTO® 3 System PIU
39E43R	PIU to Stockert EP Shuttle Generator
39E58M	Catheter to CARTO® XP System

Associated Tubing

Catalog No.:	Description
CFT001	COOLFLOW® Pump Tubing
SAT001	SMARTABLATE™ System Irrigation Tubing Set

* Compatible sheath size. To verify compatibility between sheath and catheter, advance catheter through sheath prior to insertion.

NAVIGATION THERAPEUTIC CATHETERS

NAVISTAR® 4 mm Catheter



European Ordering No.	Diameter	Curve	Tip Electrode	Number of Electrodes	Spacing	Insertion Length
34A15M	7F	B ●	4 mm	4	1-7-4 mm	115 cm
34A25M	7F	C ●	4 mm	4	1-7-4 mm	115 cm
34A35M	7F	D ●	4 mm	4	1-7-4 mm	115 cm
34A45M	7F	E ○	4 mm	4	1-7-4 mm	115 cm
34A55M	7F	F ●	4 mm	4	1-7-4 mm	115 cm
34AJ5M	7F	J ●	4 mm	4	1-7-4 mm	115 cm

Associated Cable:

Catalog No.:	Connects
CR3425CT	Catheter to CARTO® 3 System PIU
39E43R	PIU to Stockert EP Shuttle Generator
39E58M	Catheter to CARTO® XP System

NAVISTAR® DS Catheter



European Ordering No.	Diameter	Curve	Tip Electrode	Number of Electrodes	Spacing	Insertion Length
34J27M	7F	C ●	8 mm	4	1-7-4 mm	115 cm
34J37M	7F	D ●	8 mm	4	1-7-4 mm	115 cm
34J57M	7F	F ●	8 mm	4	1-7-4 mm	115 cm
34JJ7M	7F	J ●	8 mm	4	1-7-4 mm	115 cm

Associated Cable:

Catalog No.:	Connects
CR3425CT	Catheter to CARTO® 3 System PIU
39E68R	PIU to Stockert EP Shuttle Generator
39F12M	Catheter to CARTO® XP System

* Compatible sheath size. To verify compatibility between sheath and catheter, advance catheter through sheath prior to insertion.

NAVIGATION THERAPEUTIC CATHETERS

NAVISTAR® RMT THERMOCOOL® Catheter



2-5-2 mm



Catheter handle

European Ordering No.	Outer Diameter	Sheath Fit*	Curve	Tip Electrode	Number of Electrodes	Spacing	Insertion Length
NR7TCSIY	8F	≥8.5F	na	3.5 mm	4	2-5-2 mm	130 cm

Associated Cable:

Catalog No.:	Connects
CR3425CT	Catheter to CARTO® 3 System PIU
39E43R	PIU to Stockert EP Shuttle Generator
39E58M	Catheter to CARTO® XP System

Associated Tubing

Catalog No.:	Description
CFT001	COOLFLOW® Pump Tubing
SAT001	SMARTABLATE™ System Irrigation Tubing Set

NAVISTAR® RMT 4 mm Catheter



1-7-4 mm



Catheter handle

European Ordering No.	Outer Diameter	Sheath Fit*	Tip Electrode	Number of Electrodes	Spacing	Insertion Length
NR7TCS4Y	8F	≥8.5F	4 mm	4	1-7-4 mm	125 cm

Associated Cable:

Catalog No.:	Connects
CR3425CT	Catheter to CARTO® 3 System PIU
39E43R	PIU to Stockert EP Shuttle Generator
39E58M	Catheter to CARTO® XP System

* Compatible sheath size. To verify compatibility between sheath and catheter, advance catheter through sheath prior to insertion.

Therapeutic Catheters

NON-NAV

NON-NAVIGATION THERAPEUTIC CATHETERS	33
THERMOCOOL® SF Uni-Directional Catheter	35
THERMOCOOL® SF Bi-Directional Catheter	35
EZ STEER® THERMOCOOL® Catheter	36
EZ STEER® 4 mm Bi-Directional Catheter	36
EZ STEER® DS Bi-Directional Catheter	37
CELSIUS® THERMOCOOL® Uni-Directional Catheter	37
CELSIUS® RMT THERMOCOOL® Catheter	38
CELSIUS® 4 mm Catheter Thermocouple	38
CELSIUS® 4 mm Catheter Thermistor	39
CELSIUS® 4 mm Braided Tip Catheter	39
CELSIUS FLTR™ 8 mm Uni-Directional Catheter	40
CELSIUS FLTR™ 8 mm Bi-Directional Catheter	40
CELSIUS® DS Catheter	41
CELSIUS® RMT Catheter	41

NON-NAVIGATION THERAPEUTIC CATHETERS

THERMOCOOL® SF Uni-Directional Catheter*



European Ordering No.	Outer Diameter	Sheath Fit**	Curve	Tip Electrode	Number of Electrodes	Spacing	Insertion Length
D131601	8F	≥8F	B ●	3.5 mm	4 + 2	2-5-2 mm	115 cm
D131602	8F	≥8F	D ●	3.5 mm	4 + 2	2-5-2 mm	115 cm
D131603	8F	≥8F	F ●	3.5 mm	4 + 2	2-5-2 mm	115 cm
D131604	8F	≥8F	J ●	3.5 mm	4 + 2	2-5-2 mm	115 cm

Associated Cable:

Catalog No.:	Connects
39E43R	Stockert EP Shuttle Generator

Associated Tubing

Catalog No.:	Description
CFT001	COOLFLOW® Pump Tubing

THERMOCOOL® SF Bi-Directional Catheter*



European Ordering No.	Outer Diameter	Sheath Fit**	Curve	Tip Electrode	Number of Electrodes	Spacing	Insertion Length
BDI35BBRT	8F	≥8F	B-B ●●	3.5 mm	4 + 2	2-5-2 mm	115 cm
BDI35BDRT	8F	≥8F	B-D ●●	3.5 mm	4 + 2	2-5-2 mm	115 cm
BDI35BFRT	8F	≥8F	B-F ●●	3.5 mm	4 + 2	2-5-2 mm	115 cm
BDI35DDRT	8F	≥8F	D-D ●●	3.5 mm	4 + 2	2-5-2 mm	115 cm
BDI35DFRT	8F	≥8F	D-F ●●	3.5 mm	4 + 2	2-5-2 mm	115 cm
BDI35DJRT	8F	≥8F	D-J ●●	3.5 mm	4 + 2	2-5-2 mm	115 cm
BDI35FFRT	8F	≥8F	F-F ●●	3.5 mm	4 + 2	2-5-2 mm	115 cm
BDI35FJRT	8F	≥8F	F-J ●●	3.5 mm	4 + 2	2-5-2 mm	115 cm
BDI35JJRT	8F	≥8F	J-J ●●	3.5 mm	4 + 2	2-5-2 mm	115 cm

Associated Cable:

Catalog No.:	Connects
39E43R	Stockert EP Shuttle Generator

Associated Tubing

Catalog No.:	Description
CFT001	COOLFLOW® Pump Tubing

* THERMOCOOL® SF Catheter requires an upgrade of the Stockert EP shuttle RF Generator to Software Version 1.037. Please contact your local BW representative.

** Compatible sheath size. To verify compatibility between sheath and catheter, advance catheter through sheath prior to insertion.

NON-NAVIGATION THERAPEUTIC CATHETERS

EZ STEER® THERMOCOOL® Catheter



European Ordering No.	Outer Diameter	Curve	Tip Electrode	Number of Electrodes	Spacing	Insertion Length
36Q33M	8F	D-D ●●	3.5 mm	4	2-5-2 mm	115 cm
36Q35M	8F	D-F ●●	3.5 mm	4	2-5-2 mm	115 cm
36Q55M	8F	F-F ●●	3.5 mm	4	2-5-2 mm	115 cm
36Q5JM	8F	F-J ●●	3.5 mm	4	2-5-2 mm	115 cm

Associated Cable:

Catalog No.:	Connects
39E43R	Stockert EP Shuttle Generator

Associated Tubing

Catalog No.:	Description
CFT001	COOLFLOW® Pump Tubing

EZ STEER® 4 mm Bi-Directional Catheter



European Ordering No.	Diameter	Curve	Tip Electrode	Number of Electrodes	Spacing	Insertion Length
35I35R	7F	D-F ●●	4 mm	4	1-7-4 mm	115 cm
35I5JR	7F	F-J ●●	4 mm	4	1-7-4 mm	115 cm
35I33R*	7F	D-D ●●	4 mm	4	1-7-4 mm	115 cm
35I55R*	7F	F-F ●●	4 mm	4	1-7-4 mm	115 cm

Associated Cable:

Catalog No.:	Connects
39E43R	Stockert EP Shuttle Generator

* For availability, please contact your local Biosense Webster representative.

NON-NAVIGATION THERAPEUTIC CATHETERS

EZ STEER® DS Bi-Directional Catheter

BI



European Ordering No.	Diameter	Curve	Tip Electrode	Number of Electrodes	Spacing	Insertion Length
35U35R	7F	D-F ●●	8 mm	4	1-7-4 mm	115 cm
35U5JR	7F	F-J ●●	8 mm	4	1-7-4 mm	115 cm
35U33R*	7F	D-D ●●	8 mm	4	1-7-4 mm	115 cm
35U55R*	7F	F-F ●●	8 mm	4	1-7-4 mm	115 cm
35UJJR*	7F	J-J ●●	8 mm	4	1-7-4 mm	115 cm

Associated Cable:

Catalog No.:	Connects
39E68R	Stockert EP Shuttle Generator

CELSIUS® THERMOCOOL® Uni-Directional Catheter

UNI



European Ordering No.	Diameter	Curve	Tip Electrode	Number of Electrodes	Spacing	Insertion Length
35Q13R	7F	B ●	3.5 mm	4	2-5-2 mm	115 cm
35Q33R	7F	D ●	3.5 mm	4	2-5-2 mm	115 cm
35Q53R	7F	F ●	3.5 mm	4	2-5-2 mm	115 cm
35Q73R*	7F	J ●	3.5 mm	4	2-5-2 mm	115 cm

Associated Cable:

Catalog No.:	Connects
39E43R	Stockert EP Shuttle Generator

Associated Tubing

Catalog No.:	Description
CFT001	COOLFLOW® Pump Tubing

* For availability, please contact your local Biosense Webster representative.

NON-NAVIGATION THERAPEUTIC CATHETERS

CELSIUS® RMT THERMOCOOL® Catheter



2-5-2 mm



Catheter handle

European Ordering No.	Outer Diameter	Sheath Fit*	Tip Electrode	Number of Electrodes	Spacing	Insertion Length
CR7TCSIRT**	8F	≥8.5F	3.5 mm	4	2-5-2 mm	130 cm

Associated Cable:

Catalog No.:	Connects
39E43R	Stockert EP Shuttle Generator

Associated Tubing

Catalog No.:	Description
CFT001	COOLFLOW® Pump Tubing

CELSIUS® 4 mm Catheter Thermocouple



2-5-2 mm



Catheter handle

European Ordering No.	Outer Diameter	Curve	Tip Electrode	Number of Electrodes	Spacing	Insertion Length
35G07R	6F	A ●	4 mm	4	2-5-2 mm	92 cm
35G17R	6F	B ●	4 mm	4	2-5-2 mm	92 cm
35G37R	6F	D ●	4 mm	4	2-5-2 mm	92 cm
36N07R	7F	A ●	4 mm	4	2-5-2 mm	115 cm
36N17R	7F	B ●	4 mm	4	2-5-2 mm	115 cm
36N27R	7F	C ●	4 mm	4	2-5-2 mm	115 cm
36N37R	7F	D ●	4 mm	4	2-5-2 mm	115 cm
36N47R	7F	E ○	4 mm	4	2-5-2 mm	115 cm
36N57R	7F	F ●	4 mm	4	2-5-2 mm	115 cm

Associated Cable:

Catalog No.:	Connects
39E43R	Stockert EP Shuttle Generator

* Compatible sheath size. To verify compatibility between sheath and catheter, advance catheter through sheath prior to insertion.

** For availability, please contact your local Biosense Webster representative.

NON-NAVIGATION THERAPEUTIC CATHETERS

CELSIUS® 4 mm Catheter Thermistor



European Ordering No.	Outer Diameter	Curve	Tip Electrode	Number of Electrodes	Spacing	Insertion Length
36O07R	7F	A ●	4 mm	4	2-5-2 mm	115 cm
36O17R	7F	B ●	4 mm	4	2-5-2 mm	115 cm
36O27R	7F	C ●	4 mm	4	2-5-2 mm	115 cm
36O37R	7F	D ●	4 mm	4	2-5-2 mm	115 cm
36O47R	7F	E ○	4 mm	4	2-5-2 mm	115 cm
36O57R	7F	F ●	4 mm	4	2-5-2 mm	115 cm

Associated Cable:

Catalog No.:	Connects
39E43R	Stockert EP Shuttle Generator

CELSIUS® 4 mm Braided Tip Catheter



European Ordering No.	Outer Diameter	Curve	Tip Electrode	Number of Electrodes	Spacing	Insertion Length
34D37R	7F	D ●	4 mm	4	2-5-2 mm	115 cm
34D47R	7F	E ○	4 mm	4	2-5-2 mm	115 cm
34D57R	7F	F ●	4 mm	4	2-5-2 mm	115 cm

Associated Cable:

Catalog No.:	Connects
39E43R	Stockert EP Shuttle Generator

NON-NAVIGATION THERAPEUTIC CATHETERS

CELSIUS FLTR™ 8 mm Uni-Directional Catheter



European Ordering No.	Outer Diameter	Sheath Fit*	Curve	Tip Electrode	Number of Electrodes	Spacing	Insertion Length
D135501	7.5F	≥8F	F	8 mm	4	0.5-5-2 mm	115 cm
D135502	7.5F	≥8F	XR	8 mm	4	0.5-5-2 mm	115 cm

Associated Cable:

Catalog No.:	Connects
39E68R	Stockert EP Shuttle Generator

CELSIUS FLTR™ 8 mm Bi-Directional Catheter



European Ordering No.	Outer Diameter	Sheath Fit*	Curve	Tip Electrode	Number of Electrodes	Spacing	Insertion Length
D135901	7.5F	≥8F	D-XR	8 mm	4	0.5-5-2 mm	115 cm

Associated Cable:

Catalog No.:	Connects
39E68R	Stockert EP Shuttle Generator

* Compatible sheath size. To verify compatibility between sheath and catheter, advance catheter through sheath prior to insertion.

NON-NAVIGATION THERAPEUTIC CATHETERS

CELSIUS® DS Catheter



European Ordering No.	Outer Diameter	Sheath Fit*	Curve	Tip Electrode	Number of Electrodes	Spacing	Insertion Length
35S17R	7F	≥8F	B ● ●	8 mm	4	1-6-2 mm	115 cm
35S37R	7F	≥8F	D ● ●	8 mm	4	1-6-2 mm	115 cm
35S57R	7F	≥8F	F ● ●	8 mm	4	1-6-2 mm	115 cm

Associated Cable:

Catalog No.:	Connects
39E68R	Stockert EP Shuttle Generator

CELSIUS® RMT Catheter



European Ordering No.	Outer Diameter	Sheath Fit*	Tip Electrode	Number of Electrodes	Spacing	Insertion Length
CR7TCS4RT	7F	≥8F	4 mm	4	2-5-2 mm	125 cm

Associated Cable:

Catalog No.:	Connects
39E43R	Stockert EP Shuttle Generator

* Compatible sheath size. To verify compatibility between sheath and catheter, advance catheter through sheath prior to insertion.

NOTES

A series of horizontal dotted lines for writing notes.

Diagnostic Catheters



Navigation Diagnostic Catheters

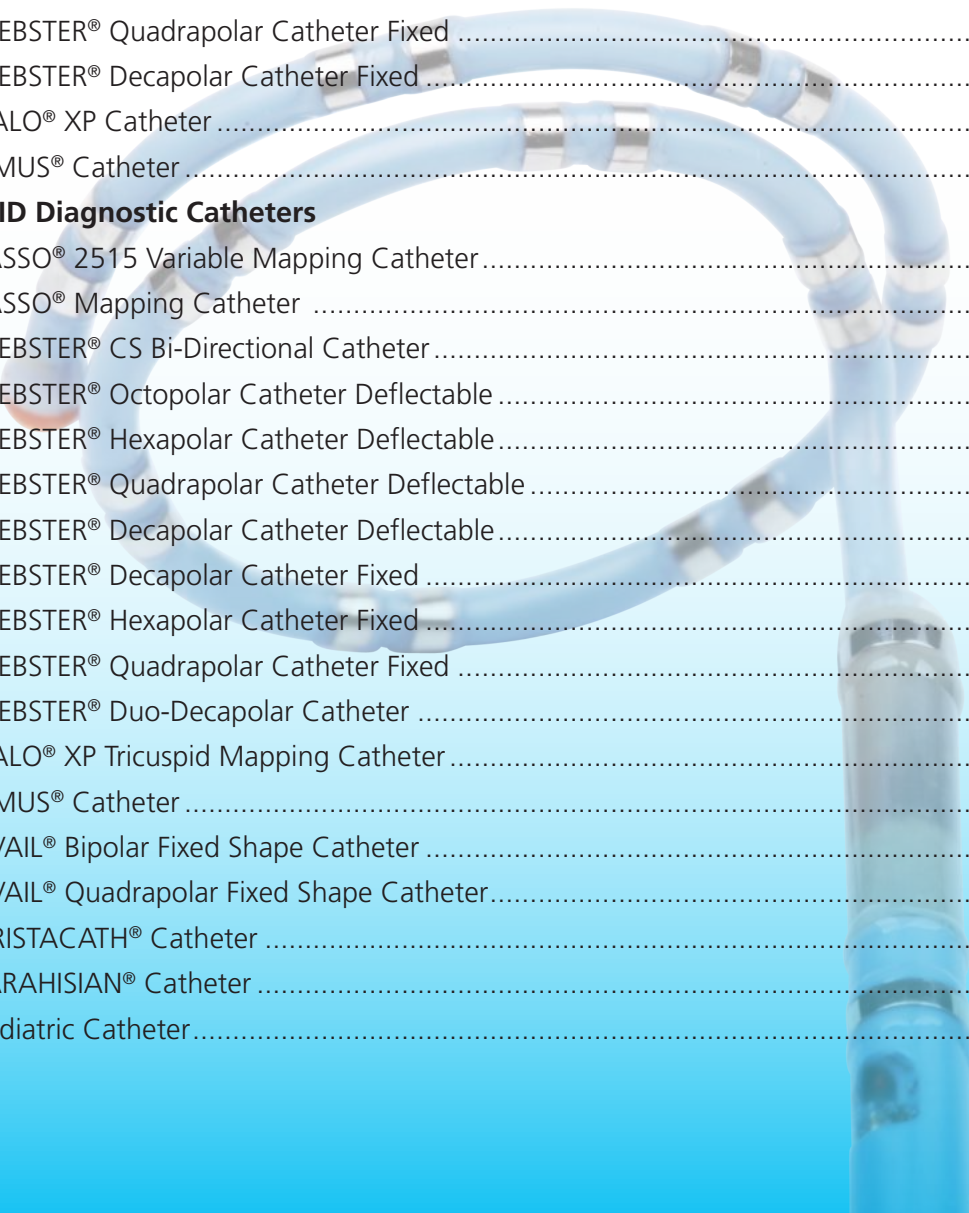
LASSO® 2515 NAV eco Variable Catheter	45
LASSO® NAV eco Catheter.....	45
LASSO® 2515 NAV Variable Catheter	46
LASSO® NAV Catheter	46
PENTARAY® NAV eco Catheter.....	47
DECANAV™ Catheter	47

Auto-ID Diagnostic Catheters

LASSO® Decapolar Catheter	48
LASSO® Duo-Decapolar Catheter.....	48
WEBSTER® CS Uni-Directional Catheter.....	49
WEBSTER® CS Bi-Directional Catheter	49
WEBSTER® Quadrapolar Catheter Deflectable	50
WEBSTER® Decapolar Catheter Deflectable	50
WEBSTER® HIS Catheter	51
WEBSTER® Quadrapolar Catheter Fixed	51
WEBSTER® Decapolar Catheter Fixed	51
HALO® XP Catheter	52
ISMUS® Catheter	52

Non Auto-ID Diagnostic Catheters

LASSO® 2515 Variable Mapping Catheter	53
LASSO® Mapping Catheter	53
WEBSTER® CS Bi-Directional Catheter	54
WEBSTER® Octopolar Catheter Deflectable	54
WEBSTER® Hexapolar Catheter Deflectable	55
WEBSTER® Quadrapolar Catheter Deflectable	55
WEBSTER® Decapolar Catheter Deflectable	56
WEBSTER® Decapolar Catheter Fixed	57
WEBSTER® Hexapolar Catheter Fixed	57
WEBSTER® Quadrapolar Catheter Fixed	58
WEBSTER® Duo-Decapolar Catheter	59
HALO® XP Tricuspid Mapping Catheter	59
ISMUS® Catheter	59
AVAIL® Bipolar Fixed Shape Catheter	60
AVAIL® Quadrapolar Fixed Shape Catheter.....	60
CRISTACATH® Catheter	61
PARAHISIAN® Catheter	61
Pediatric Catheter.....	61



LASSO® 2515 NAV eco Variable Catheter



European Ordering No.	Diameter	Curve	Number of Electrodes	Spacing	Diameter	Insertion Length
D134302	7F	D ●	12	8 mm	25-15 mm	115 cm
D134301	7F	D ●	22	2-6-2 mm	25-15 mm	115 cm

LASSO® NAV eco Catheter



European Ordering No.	Diameter	Curve	Number of Electrodes	Spacing	Diameter	Insertion Length	Interface Cable	Compatibility
D134901	7F	D ●	10	4.5 mm	15 mm	115 cm	D134401	CARTO® 3 System
D134903	7F	D ●	10	6 mm	20 mm	115 cm	D134401	CARTO® 3 System
D134905	7F	D ●	10	8 mm	25 mm	115 cm	D134401	CARTO® 3 System

European Ordering No.	Diameter	Curve	Number of Electrodes	Spacing	Diameter	Insertion Length	Interface Cable	Compatibility
D134902	7F	D ●	20	4.5 mm	15 mm	115 cm	D134401	CARTO® 3 System
D134904	7F	D ●	20	6 mm	20 mm	115 cm	D134401	CARTO® 3 System
D134906	7F	D ●	20	8 mm	25 mm	115 cm	D134401	CARTO® 3 System

Associated Cable:

Catalog No.:	Connects
D134401 EM5050060	Catheter to CARTO® 3 System PIU 20 pole eco Cable

LASSO® 2515 NAV Variable Catheter

European Ordering No.	Diameter	Curve	Number of Electrodes	Spacing	Diameter	Insertion Length
35P2515R	7F	D	10	8 mm	25-15 mm	115 cm
35U2515R	7F	D	20	2-6-2 mm	25-15 mm	115 cm

Associated Cable:

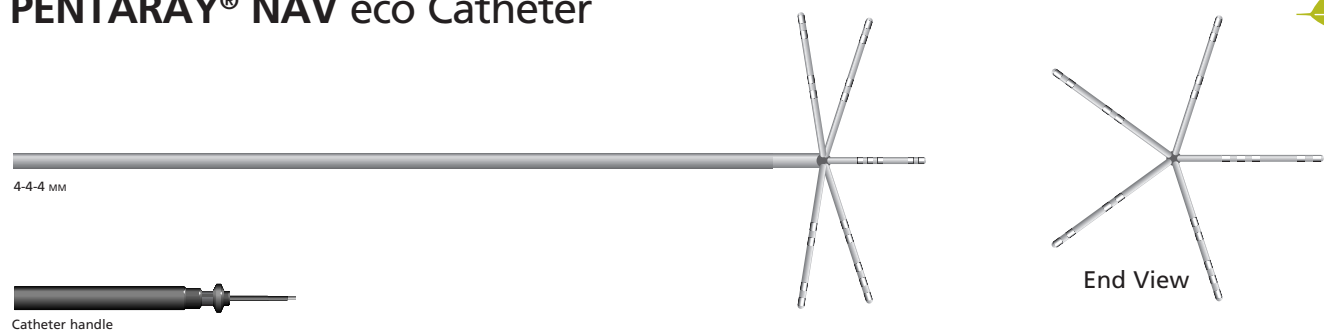
Catalog No.:	Connects
CB3434CT	Catheter to CARTO® 3 System PIU

LASSO® NAV Catheter

European Ordering No.	Diameter	Curve	Number of Electrodes	Spacing	Diameter	Insertion Length	Interface Cable	Compatibility
DLN1215CT	7F	D	10	4.5 mm	15 mm	115 cm	CB3434CT	CARTO® 3 System
DLN1220CT	7F	D	10	6 mm	20 mm	115 cm	CB3434CT	CARTO® 3 System
DLN1225CT	7F	D	10	8 mm	25 mm	115 cm	CB3434CT	CARTO® 3 System

European Ordering No.	Diameter	Curve	Number of Electrodes	Spacing	Diameter	Insertion Length	Interface Cable	Compatibility
DLN2215CT	7F	D	20	4.5 mm	15 mm	115 cm	CB3434CT	CARTO® 3 System
DLN2220CT	7F	D	20	6 mm	20 mm	115 cm	CB3434CT	CARTO® 3 System
DLN2225CT	7F	D	20	8 mm	25 mm	115 cm	CB3434CT	CARTO® 3 System

PENTARAY® NAV eco Catheter



European Ordering No.	Diameter	Curve	Number of Electrodes	Spacing	Insertion Length
D128207	7F	F ●	22	4-4-4 mm	115 cm
D128208	7F	F ●	22	2-6-2 mm	115 cm
D128210	7F	D ●	22	4-4-4 mm	115 cm
D128211	7F	D ●	22	2-6-2 mm	115 cm

Associated Cable:

Catalog No.:	Connects
D134401 EM5050060	Catheter to CARTO® 3 System PIU 20 pole eco Cable

DECANAV™ Catheter

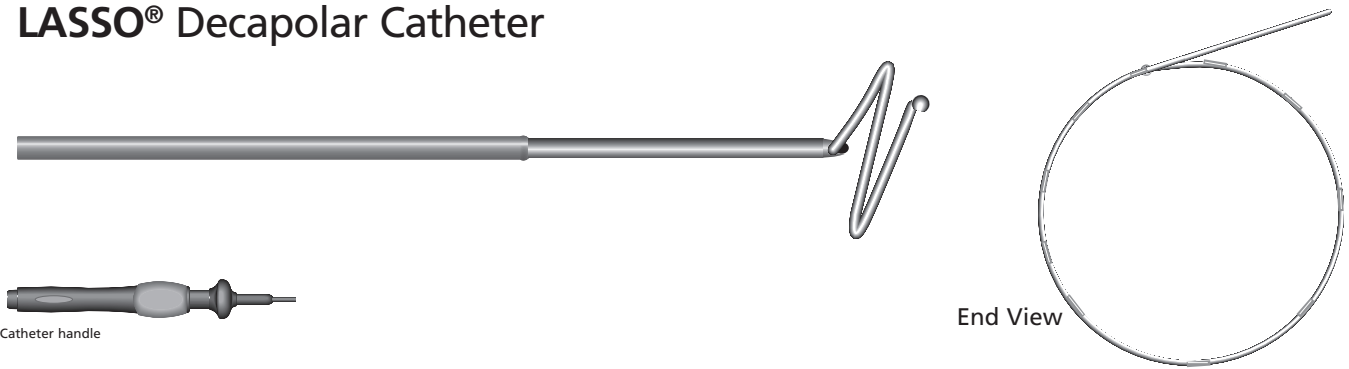


European Ordering No.	Diameter	Curve	Tip Size	Number of Electrodes	Spacing	Insertion Length
R7D282CT	7F	D ●	2 mm	10	2-8-2 mm	115 cm
R7F282CT	7F	F ●	2 mm	10	2-8-2 mm	115 cm

Associated Cable:

Catalog No.:	Connects
CB3434CT	Catheter to CARTO® 3 System PIU

LASSO® Decapolar Catheter

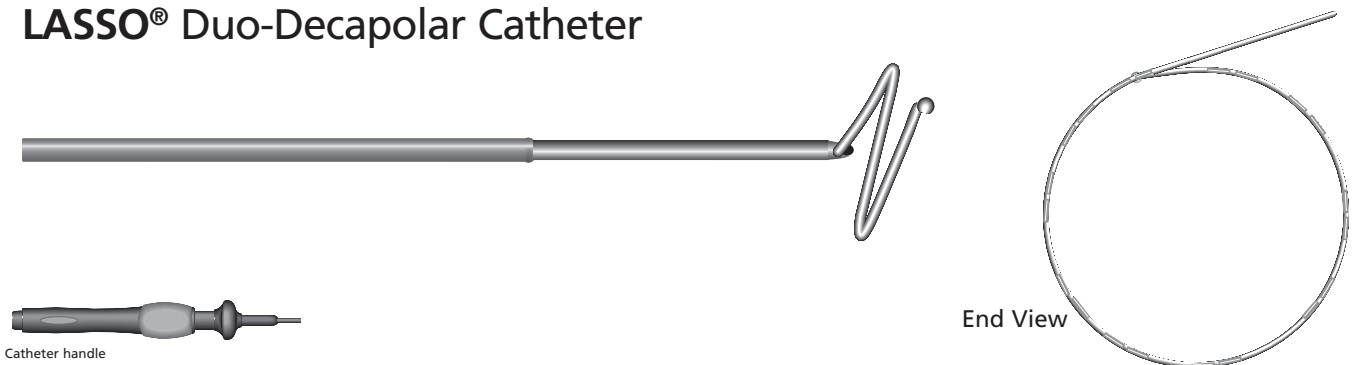


European Ordering No.	Diameter	Curve	Tip Electrode	Number of Electrodes	Spacing	Loop Diameter	Insertion Length
35026RCT	7F	D ●	3F	10	4.5 mm	15 mm	115 cm
35036RCT	7F	D ●	3F	10	6 mm	20 mm	115 cm

Associated Cable:

Catalog No.:	Connects
CB3412CT	Catheter to CARTO® 3 System PIU

LASSO® Duo-Decapolar Catheter



European Ordering No.	Diameter	Curve	Tip Electrode	Number of Electrodes	Spacing	Loop Diameter	Insertion Length
D7L2015CT	7F	D ●	3F	20	4.5 mm	15 mm	115 cm
D7L2020CT	7F	D ●	3F	20	6 mm	20 mm	115 cm

Associated Cable:

Catalog No.:	Connects
CB3434CT	Catheter to CARTO® 3 System PIU

WEBSTER® CS Uni-Directional Catheter



European Ordering No.	Diameter	Curve	Tip Electrodes	Number of Electrodes	Spacing	Insertion Length	Auto ID	Compression Coil
D135303	6F	CS-D	2 mm	10	2-8-2 mm	115 cm	Yes	Yes
D135304	6F	CS-F	2 mm	10	2-8-2 mm	115 cm	Yes	Yes

Associated Cable:

Catalog No.:	Connects
CB3412CT	Catheter to CARTO® 3 System PIU
CY1212CT	Catheter to CARTO® 3 System PIU
D128709	Auto ID Catheter up to 10 poles to the EP recording system pinbox

WEBSTER® CS Bi-Directional Catheter



European Ordering No.	Diameter	Curve	Number of Electrodes	Spacing	Insertion Length
36G35QCT	7F	D-F ● ●	10	2-8-2 mm	115 cm
36G5JMCT	7F	F-J ● ●	10	2-8-2 mm	115 cm

Associated Cable:

Catalog No.:	Connects
CB3412CT	Catheter to CARTO® 3 System PIU

WEBSTER® Quadrapolar Catheter Deflectable



European Ordering No.	Diameter	Curve	Number of Electrodes	Spacing	Insertion Length
36B38RCT	6F	D ●	4	2-5-2 mm	92 cm
36B33RCT	6F	D ●	4	5 mm	92 cm
36C38RCT	7F	D ●	4	2-5-2 mm	115 cm

Associated Cable:

Catalog No.:	Connects
CY1212CT	Catheter to CARTO® 3 System PIU

WEBSTER® Decapolar Catheter Deflectable



European Ordering No.	Diameter	Curve	Number of Electrodes	Spacing	Insertion Length
35X33QCT	6F	D ●	10	2-8-2 mm	92 cm
36G33QCT	7F	D ●	10	2-8-2 mm	115 cm

Associated Cable:

Catalog No.:	Connects
CB3412CT	Catheter to CARTO® 3 System PIU

WEBSTER® HIS Catheter



Catheter handle

European Ordering No.	Diameter	Curve	Poles	Spacing	Insertion Length
D1085413	5F	HIS-F	4	5 mm	115 cm

Associated Cable:

Catalog No.:	Connects
CY1212CT D128709	Catheter to CARTO® 3 System PIU Auto ID Catheters up to 10 poles to the EP recording system pinbox

WEBSTER® Quadrapolar Catheter Fixed



5 mm



Catheter handle

European Ordering No.	Diameter	Curve	Number of Electrodes	Spacing	Insertion Length
37C53RCT	5F	F ●	4	5 mm	110 cm
37C03RCT	5F	A ●	4	5 mm	110 cm
F6QF005CT	6F	F ●	4	5 mm	115 cm
F6QA005CT	6F	A ●	4	5 mm	115 cm

Associated Cable:

Catalog No.:	Connects
CY1212CT	Catheter to CARTO® 3 System PIU

WEBSTER® Decapolar Catheter Fixed



2-8-2 mm



Catheter handle

European Ordering No.	Diameter	Curve	Number of Electrodes	Spacing	Insertion Length
37S94RCT	5F	P	10	2-8-2 mm	60 cm

Associated Cable:

Catalog No.:	Connects
CB3412CT	Catheter to CARTO® 3 System PIU

HALO® XP Catheter



2-8-2 mm



Catheter handle

European Ordering No.	Diameter	Number of Electrodes	Curve	Spacing	Insertion Length
36J13RCT*	7F	20	Tricuspid	2-8-2 mm	110 cm

Associated Cable:

Catalog No.:	Connects
CB3434CT	Catheter to CARTO® 3 System PIU

ISMUS® Catheter



2-12-2 mm



Catheter handle

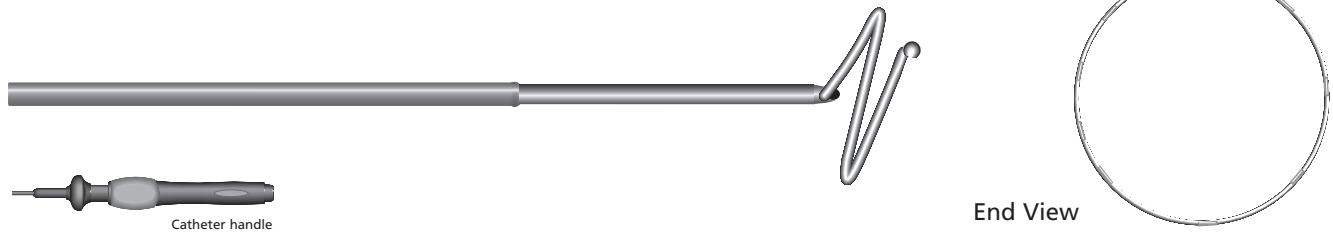
European Ordering No.	Diameter	Number of Electrodes	Curve	Spacing	Insertion Length
36Y32RCT*	7F	20	ISMUS® Cath	2-12-2 mm	110 cm

Associated Cable:

Catalog No.:	Connects
CB3434CT	Catheter to CARTO® 3 System PIU

* Please contact your Biosense Webster representatives for further details on the product.

LASSO® 2515 Variable Mapping Catheter



European Ordering No.	Diameter	Curve	Tip Electrode	Number of Electrodes	Spacing	Insertion Length
35O2515R	7F	D ●	15-25 mm	10	8 mm	115 cm
35T2515R	7F	D ●	15-25 mm	20	2-6-2 mm	115 cm

Associated Cable:

Catalog No.:	Connects
39F41R ¹ or 39F54R ¹	ECG Recording System CARTO® 3 System
D128624	Catheter to CARTO® 3 System

LASSO® Mapping Catheter

European Ordering No.	Diameter	Curve	Loop Diameter	Number of Electrodes	Spacing	Insertion Length
35O16R	7F	D ●	12 mm	10	4 mm	115 cm
35O26R	7F	D ●	15 mm	10	4.5 mm	115 cm
35O36R	7F	D ●	20 mm	10	6 mm	115 cm
35O46R	7F	D ●	25 mm	10	8 mm	115 cm
35O66R*	7F	D ●	35 mm	15	7 mm	115 cm
35T26R	7F	D ●	15 mm	20	4.5 mm	115 cm
35T36R	7F	D ●	20 mm	20	6 mm	115 cm

Associated Cable:

Catalog No.:	Connects
39F41R ¹ or 39F54R ¹	ECG Recording System CARTO® 3 System
D128624	Catheter to CARTO® 3 System

¹ The interface cable 39F41R is 0.9 m long. It is also available in 1.8 m as 39F54R.

* For availability, please contact your local Biosense Webster representative.

WEBSTER® CS Bi-Directional Catheter



2-8-2 mm



European Ordering No.	Diameter	Curve	Tip Electrode	Number of Electrodes	Spacing	Insertion Length
36D35R	7F	D-F ●●	2 mm	10	2-8-2 mm	115 cm
36D5JR	7F	F-J ●●	2 mm	10	2-8-2 mm	115 cm

Associated Cable:

Catalog No.:	Connects
39F41R ¹ CB3410CT	ECG Recording System / CARTO® XP System CARTO® 3 System

WEBSTER® Octopolar Catheter Deflectable



Irregular Spacing due to anchor placement



Pairs at 10 mm (2-8-2 mm)



Catheter handle

European Ordering No.	Diameter	Curve	Tip Electrode	Number of Electrodes	Spacing	Insertion Length
35Y13Q	5F	D ●	1 mm	8	2-8-2 mm	92 cm
36S31Q	6F	D ●	1 mm	8	2 mm	92 cm
36F30Q	7F	D ●	1 mm	8	2.5-3.75-2.5-2.5- 2.5-2.5-2.5 mm	115 cm

Associated Cable:

Catalog No.:	Connects
39F44R CY1210CT	ECG Recording System / CARTO® XP System CARTO® 3 System

¹ The interface cable 39F41R is 0.9 m long. It is also available in 1.8 m as 39F54R.

WEBSTER® Hexapolar Catheter Deflectable



Irregular Spacing due to anchor placement



Catheter handle

European Ordering No.	Diameter	Curve	Tip Electrode	Number of Electrodes	Spacing	Insertion Length
36E30Q	6F	D ●	1 mm	6	2.5-4-2.5- 2.5-2.5 mm	92 cm

Associated Cable:

Catalog No.:	Connects
39F43R CY1210CT	ECG Recording System / CARTO® XP System CARTO® 3 System

WEBSTER® Quadrapolar Catheter Deflectable



2-5-2 mm

5 mm

10 mm



Catheter handle

European Ordering No.	Diameter	Curve	Tip Electrode	Number of Electrodes	Spacing	Insertion Length
36B38R	6F	D ●	1 mm	4	2-5-2 mm	92 cm
36B33R	6F	D ●	1 mm	4	5 mm	92 cm
36B35R	6F	D ●	1 mm	4	10 mm	92 cm
36C38R	7F	D ●	1 mm	4	2-5-2 mm	115 cm
36C33R	7F	D ●	1 mm	4	5 mm	115 cm

Associated Cable:

Catalog No.:	Connects
39F40R ¹ CY1210CT	ECG Recording System / CARTO® XP System CARTO® 3 System

¹ The interface cable 39F40R is 0.9 m long. It is also available in 1.8 m as 39F55R.

WEBSTER® Decapolar Catheter Deflectable



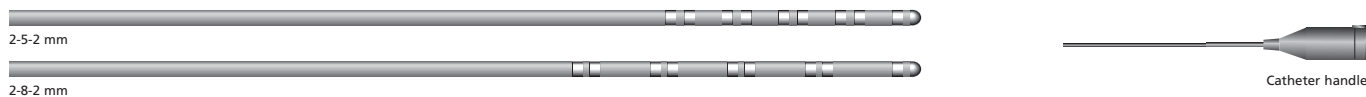
European Ordering No.	Diameter	Curve	Tip Electrode	Number of Electrodes	Spacing	Insertion Length
35X38Q	6F	D ●	1 mm	10	2-5-2 mm	92 cm
35X33Q	6F	D ●	1 mm	10	2-8-2 mm	92 cm
35X58Q	6F	F ●	1 mm	10	2-5-2 mm	92 cm
36G33Q	7F	D ●	1 mm	10	2-8-2 mm	115 cm

Associated Cable:

Catalog No.:	Connects
39F41R ¹ CY1210CT	ECG Recording System / CARTO® XP System CARTO® 3 System

¹ The interface cable 39F41R is 0.9 m long. It is also available in 1.8 m as 39F54R.

WEBSTER® Decapolar Catheter Fixed



European Ordering No.	Diameter	Curve	Tip Electrode	Number of Electrodes	Spacing	Insertion Length
37S94R	5F	P-CS	1 mm	10	2-8-2 mm	60 cm
37S95R	5F	P-CS	-	10	2-8-2 mm	110 cm
37G58R	6F	F-Courmand Type ¹ ●	1 mm	10	2-5-2 mm	115 cm
37G68R	6F	G-curve ●	1 mm	10	2-5-2 mm	115 cm

Associated Cable:

Catalog No.:	Connects
39F41R ² CY1210CT	ECG Recording System / CARTO® XP System CARTO® 3 System

WEBSTER® Hexapolar Catheter Fixed



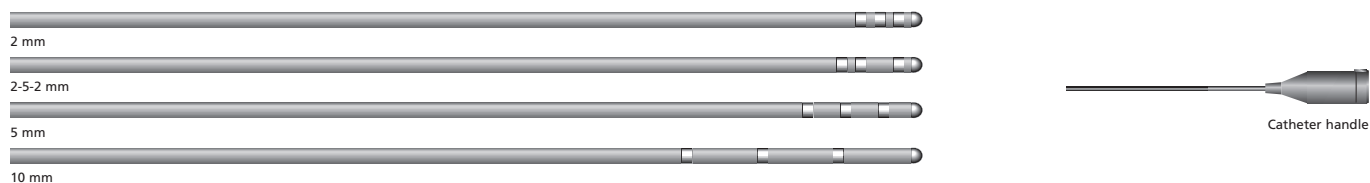
European Ordering No.	Diameter	Curve	Tip Electrode	Number of Electrodes	Spacing	Insertion Length
37U00R	6F	Josephson Type ¹ ●	1 mm	6	2.5-2.5-2.5 2.5-247.5 mm	115 cm

Associated Cable:

Catalog No.:	Connects
39F43R CY1210CT	ECG Recording System / CARTO® XP System CARTO® 3 System

1 The third party trademarks listed herein are trademarks of their respective owners.
2 The interface cable 39F41R is 0.9 m long. It is also available in 1.8 m as 39F54R.

WEBSTER® Quadrapolar Catheter Fixed



European Ordering No.	Diameter	Curve	Tip Electrode	Number of Electrodes	Spacing	Insertion Length
37C08R	5F	A-Josephson Type ¹	● 1 mm	4	2-5-2 mm	110 cm
37C03R	5F	A-Josephson Type ¹	● 1 mm	4	5 mm	110 cm
37C53R	5F	F-Cournand Type ¹	● 1 mm	4	5 mm	110 cm
37T03R	5/6F ²	A-Josephson Type ¹	● 1 mm	4	5 mm	115 cm
37D00R	6F	A-Josephson Type ¹	● 1 mm	4	2 mm	115 cm
37D08R	6F	A-Josephson Type ¹	● 1 mm	4	2-5-2 mm	115 cm
37D03R	6F	A-Josephson Type ¹	● 1 mm	4	5 mm	115 cm
37D05R	6F	A-Josephson Type ¹	● 1 mm	4	10 mm	115 cm
37D38R	6F	D-Damato Type ¹	● 1 mm	4	2-5-2 mm	115 cm
37D33R	6F	D-Damato Type ¹	● 1 mm	4	5 mm	115 cm
37D35R	6F	D-Damato Type ¹	● 1 mm	4	10 mm	115 cm
37D53R	6F	F-Cournand Type ¹	● 1 mm	4	5 mm	115 cm
37D55R	6F	F-Cournand Type ¹	● 1 mm	4	10 mm	115 cm
37D58R	6F	F-Cournand Type ¹	● 1 mm	4	2-5-2 mm	115 cm

Associated Cable:

Catalog No.:	Connects
39F40R ² CY1210CT	ECG Recording System / CARTO® XP System CARTO® 3 System

¹ The third party trademarks listed herein are trademarks of their respective owners.

² The interface cable 39F40R is 0.9 m long. It is also available in 1.8 m as 39F55R.

WEBSTER® Duo-Decapolar Catheter



Catheter handle

European Ordering No.	Diameter	Loop diameter	Tip Electrodes	Spacing	Insertion Length
D728260RT	7F	60 mm	2 mm	2-8-2...60...2-8-2 mm	110 cm

Associated Cable:

Catalog No.:	Connects
2 x 39F54R	ECG Recording System CARTO® 3 System
D128624	Catheter to CARTO® 3 System

HALO® XP Tricuspid Mapping Catheter



HALO® XP 2-8-2 mm (w/20 mm tail)



HALO® XP 2-13-2 mm



HALO® XP 2-18-2-8-2 mm



Catheter handle

European Ordering No.	Diameter	Curve	Number of Electrodes	Spacing	Insertion Length
36J13R	7F	Tricuspid	20	(20)-2-8-2 mm	110 cm
36J16R	7F	Tricuspid	20	2-13-2 mm	110 cm
36J14R	7F	Tricuspid	20	2-18-2-8-2 mm	110 cm

Associated Cable:

Catalog No.:	Connects
2 x 39F41R ¹	ECG Recording System CARTO® 3 System
D128624	Catheter to CARTO® 3 System

ISMUS® Catheter



2-12-2 mm



Catheter handle

European Ordering No.	Diameter	Curve	Number of Electrodes	Spacing	Insertion Length
36Y32R	7F	ISMUS®	20	2-12-2 mm	110 cm

Associated Cable:

Catalog No.:	Connects
2 x 39F41R ¹	ECG Recording System CARTO® 3 System
D128624	Catheter to CARTO® 3 System

¹ The interface cable 39F41R is 0.9 m long. It is also available in 1.8 m as 39F54R.

AVAIL® Bipolar Fixed Shape Catheter

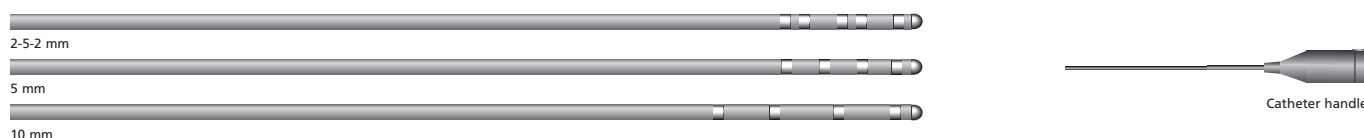


European Ordering No.	Diameter	Curve	Tip Electrode	Number of Electrodes	Spacing	Insertion Length
37P0RR	6F	A-Josephson Type ¹ ●	na	2	10 mm	115 cm

Associated Cable:

Catalog No.:	Connects
39F40R ² CY1210CT	ECG Recording System / CARTO® XP System CARTO® 3 System

AVAIL® Quadrapolar Fixed Shape Catheter



European Ordering No.	Diameter	Curve	Number of Electrodes	Spacing	Insertion Length
37C0CR	5F	A-Josephson Type ¹ ●	4	2-5-2 mm	115 cm
37C3FR	5F	D-Damato Type ¹ ●	4	10 mm	115 cm
37C5RR	5F	F-Cournand Type ¹ ●	4	2-5-2 mm	115 cm
37C5CR	5F	F-Cournand Type ¹ ●	4	5 mm	115 cm
37D0CR	6F	A-Josephson Type ¹ ●	4	2-5-2 mm	115 cm
37D5CR	6F	F-Cournand Type ¹ ●	4	2-5-2 mm	115 cm
37D0RR	6F	A-Josephson Type ¹ ●	4	5 mm	115 cm
37D3FR	6F	D-Damato Type ¹ ●	4	10 mm	115 cm
37D5RR	6F	F-Cournand Type ¹ ●	4	5 mm	115 cm

Associated Cable:

Catalog No.:	Connects
39F40R ² CY1210CT	ECG Recording System / CARTO® XP System CARTO® 3 System

¹ The third party trademarks listed herein are trademarks of their respective owners.

² The interface cable 39F40R is 0.9 m long. It is also available in 1.8 m as 39F55R.

CRISTACATH® Catheter



1-3-1 mm



Catheter handle

European Ordering No.	Diameter	Curve	Tip Electrode	Number of Electrodes	Spacing	Insertion Length
36Y39R	7F	D-Type/Crista	3 mm	20	1-3-1 mm	115 cm

Associated Cable:

Catalog No.:	Connects
2 x 39F41R ¹	ECG Recording System CARTO® 3
D128624	Catheter to CARTO® 3 System

PARAHISIAN® Catheter



2-10-2-2-2-5-2 mm



Catheter handle

European Ordering No.	Diameter	Curve	Tip Electrode	Number of Electrodes	Spacing	Insertion Length
36L00Q	7F	D ●	1 mm	8	2-10-2-2-2-2-2 mm	90 cm

Associated Cable:

Catalog No.:	Connects
39F44R	ECG Recording System / CARTO® XP

Pediatric Catheter



2-10-2-2-2-5-2 mm



Catheter handle

European Ordering No.	Diameter	Curve	Tip Electrode	Number of Electrodes	Spacing	Insertion Length	Color Code	Compatibility
36S30Q	6F	D	1 mm	8	2-10-2-2-2-5-2 mm	92 cm	blue	CARTO® XP System/ CARTO® 3 System/ ECG Recording System

Associated Cable:

Catalog No.:	Connects
39F44R CY1210CT	ECG Recording System / CARTO® XP System CARTO® 3 System

¹ The interface cable 39F41R is 0.9 m long. It is also available in 1.8 m as 39F54R.

NOTES

A series of horizontal dotted lines for writing notes.

Access



Guiding Sheaths

PREFACE® Guiding Sheaths for EP.....	65
PREFACE® Guiding Sheaths.....	65
MOBICATH® Sheath	66

Temporary Pacing Leads

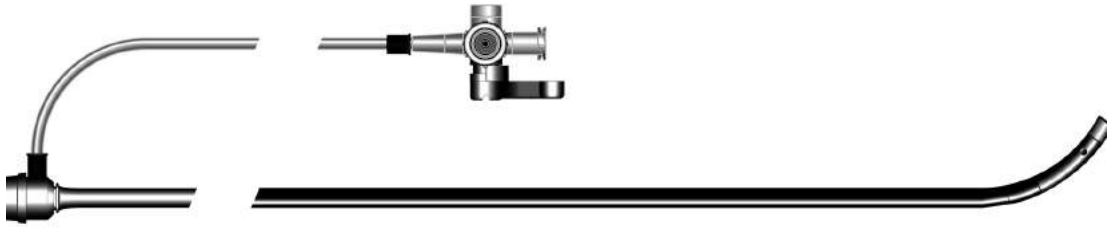
QSTIM® Catheter Temporary Pervenous Pacing Leads.....	67
Pervenous Lead Introducer Set.....	67
Content of a Pervenous Lead Introducer Set	67

Transseptal Needles

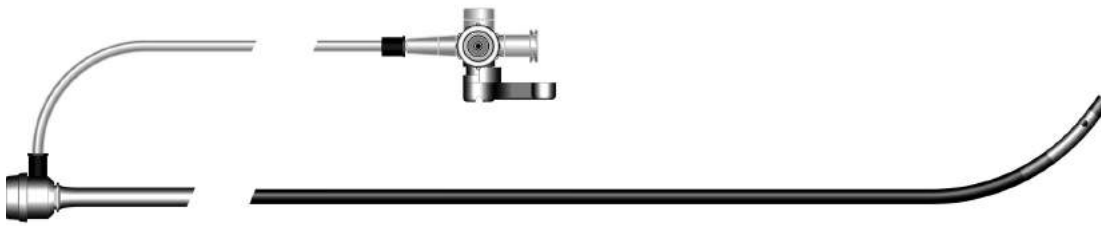
HEARTSPAN™ Transseptal Needles	68
--------------------------------------	----



PREFACE® Guiding Sheaths for EP



European Ordering No.	Size	Internal Diameter	Length	Curve
301803MS	8F ¹	0.11 inch	62 cm	Multipurpose Short



European Ordering No.	Size	Internal Diameter	Length	Curve
301803M	8F ¹	0.11 inch	62 cm	Multipurpose
301805M	8F ¹	0.11 inch	77 cm	Multipurpose

PREFACE® Guiding Sheaths



European Ordering No.	Size	Internal Diameter	Length	Curve
301803A	8F ¹	0.11 inch	62 cm	Anterior



European Ordering No.	Size	Internal Diameter	Length	Curve
301803P	8F ¹	0.11 inch	62 cm	Posterior

¹ Maximum Acceptable Lead Outer Diameter.

MOBICATH® Sheath



European Ordering No.	Usable Length	Inner Diameter	Outer Diameter	Curve size	Description
D140010	72 cm	8.5F	11.5F	17 mm	Sheath Alone Small Curve
D140011	72 cm	8.5F	11.5F	30 mm	Sheath Alone Large Curve

QSTIM® Catheter Temporary Pervenous Pacing Leads

European Ordering No.	Outer Diameter	Curve	No of electrodes	Spacing Length	Insertion	Comment
PL5M010P	5F	Multi Purpose	2	10 mm	100 cm	
PL5J010P	5F	J-Atrial	2	10 mm	100 cm	
PL6M010P	6F	Multi Purpose	2	10 mm	100 cm	

(TPPLs are sold in a multiple of 5 units)

All TPPL come including introducer set (Peel-away sheath without hemostatic valve and needle).

Adapters are not supplied with the QSTIM anymore.

European Ordering No.	Description
LP37688	2 mm Tip pin for temp pacemaker (adapter)

Pervenous Lead Introducer Set

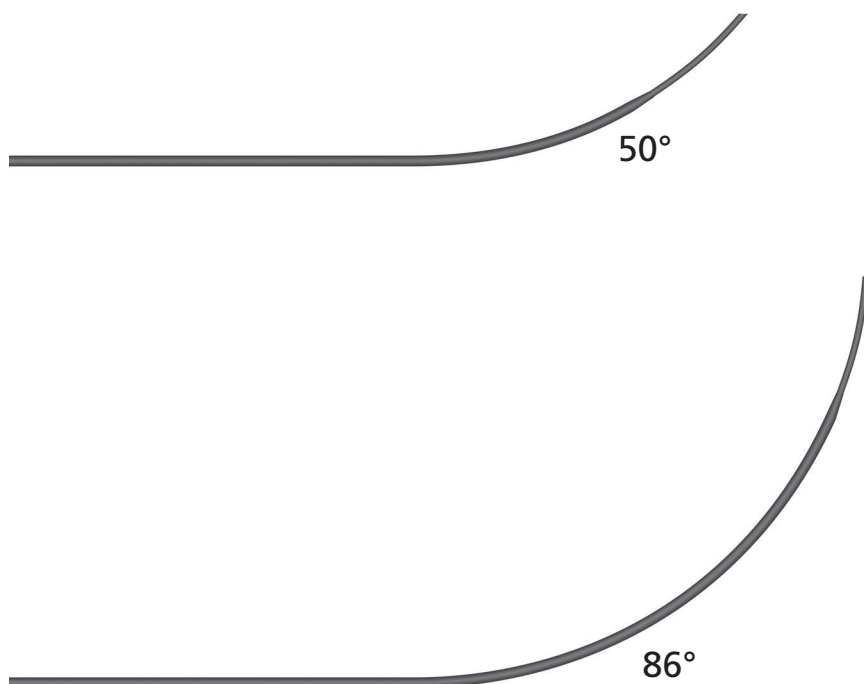
European Ordering No.	Outer Diameter	Maximum Acceptable Lead Outer Diameter, mm (Inch)
PLIS008	8F	2.7 (0.105)
PLIS009	9F	3.0 (0.118)
PLIS010	10F	3.3 (0.131)
PLIS011	11F	3.7 (0.144)

(The Pervenous Lead Introducer Set peel away sheaths are sold in a box of 10 units)

Content of a Pervenous Lead Introducer Set

SHEATH	Length: 14 cm
DILATOR	Length: 17 cm
GUIDEWIRE	0.035" / 45 cm Safety J-tip
NEEDLE	18G Thin Wall
SYRINGE	10 cc

HEARTSPAN™ Transseptal Needles



European Ordering No.	Description	Curve Angle	Needle ID
FND01900	19 gauge X 56 cm	50°	.015 inch Minimum
FND01901	18 gauge X 71 cm	50°	.015 inch Minimum
FND01902	18 gauge X 71 cm	86°	.015 inch Minimum
FND01903	18 gauge X 89 cm	50°	.015 inch Minimum

Implantable Devices



The COHEREX WAVECREST® LAA Occlusion System

Device Description.....	71
Implant Characteristics	71
COHEREX WAVECREST® LAA Occlusion System	72
Sheath ordering information.....	72



The COHEREX WAVECREST® LAA Implant

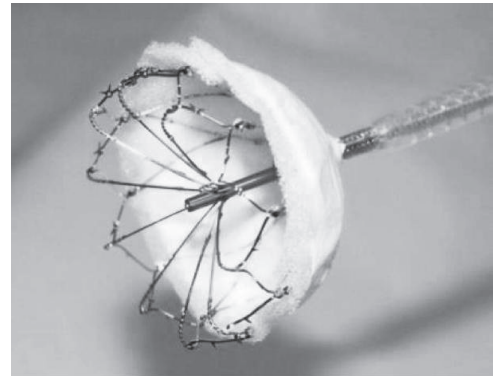
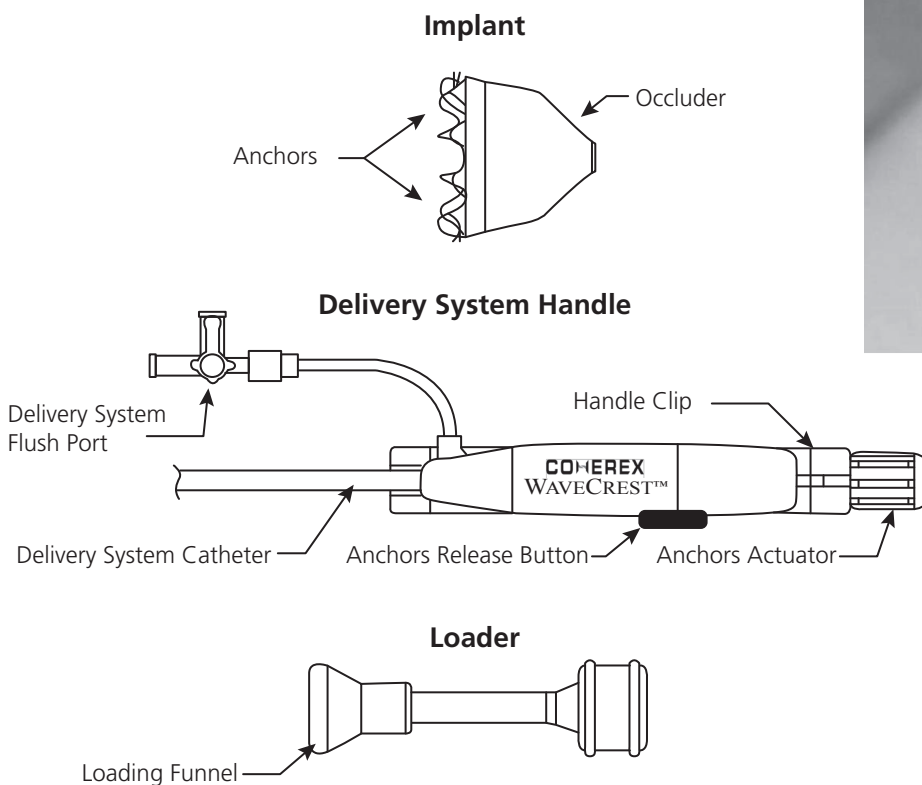
Device Description

The COHEREX WAVECREST® LAA Implant includes a self-expanding Nitinol frame and an ePTFE covered occluder. The COHEREX WAVECREST® LAA Implant comes pre-attached to the delivery system which consists of a delivery catheter, loading device and a proximal control handle. The delivery system is designed to allow a single operator to position and deploy the Implant through The COHEREX WAVECREST® LAA Occlusion System Delivery Sheath.

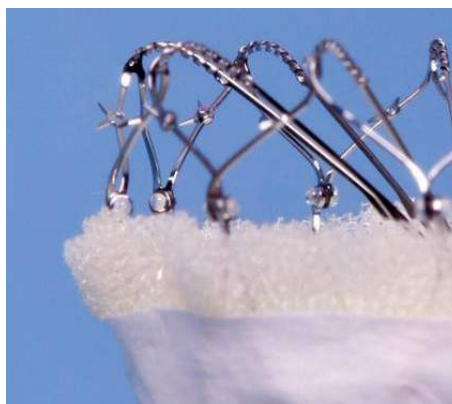
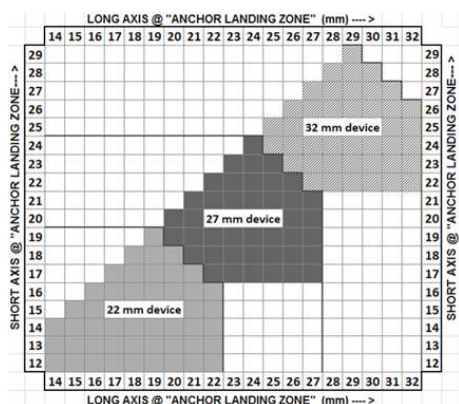
Delivery Sheath Usable Length: 70cm

Implant Characteristics

The laser cut Nitinol frame is designed to allow the device to be deployed independent of the anchoring system. Once position is optimized, 20 interlocking anchors are actuated to engage the surrounding tissue and complete the implant deployment. The implant can be fully recaptured at any time prior to release. The implant frame struts and markers delineate the implant for correct alignment and visualization under fluoroscopic imaging. A rim of polyurethane foam acts as a substrate to stimulate tissue in-growth.



COHEREX WAVECREST® LAA Implant

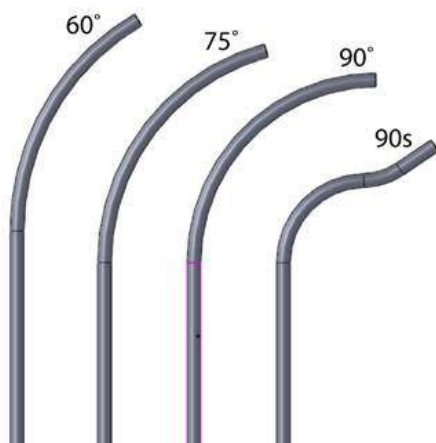


WCR1503 22 mm

WCR1513 27 mm

WCR1523 32 mm

Sheath ordering information



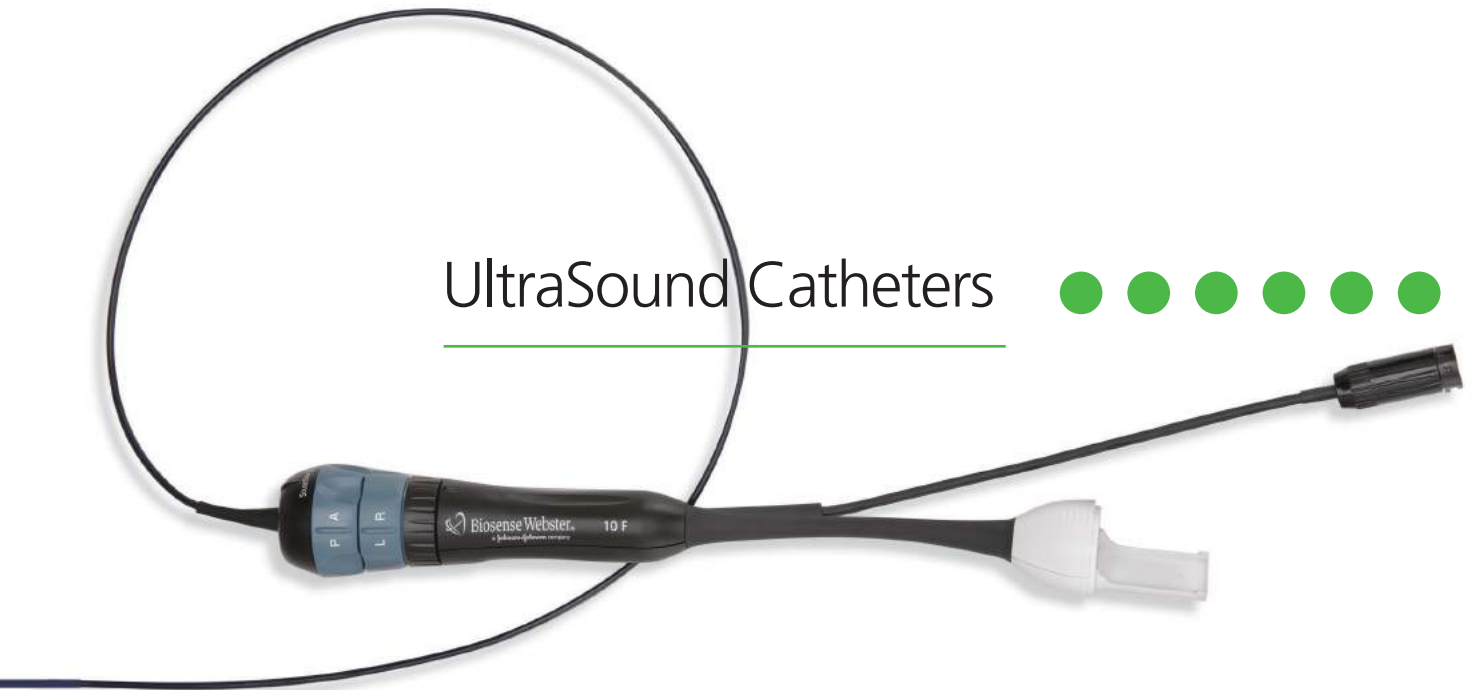
WCR1530 60 curve

WCR1540 75 curve

WCR1541 90 curve

WCR1551 90S curve

UltraSound Catheters



Ultrasound Catheters

SOUNDSTAR® 3D eco Catheter	75
SOUNDSTAR® eco 8F Catheter	75
SOUNDSTAR® 3D Ultrasound Catheter.....	76
ACUNAV™ Ultrasound Catheter.....	76

System Compatibility

CARTOSOUND® Module System Compatibility.....	78
ACUNAV™ Catheter System Compatibility	78

SOUNDSTAR® 3D eco Catheter



European Ordering No.	Outer Diameter	Insertion Length	System Compatibility
10438577	10F	90 cm	Siemens SEQUOIA™, SC 2000™ CYPRESS™, ACUSON X300™
10439072	10F	90 cm	GE-VIVID i™ VIVID q™

Associated Cable:

Catalog No.:	Connects
CG2025CT	Catheter to CARTO® 3 System PIU
EM5050011	SOUNDSTAR® 3D eco Cable compatible with CARTO® 3 System

SOUNDSTAR® eco 8F Catheter*



European Ordering No.	Outer Diameter	Insertion Length	System Compatibility
10439011	8F	90 cm	Siemens SEQUOIA™, SC 2000™ CYPRESS™, ACUSON X300™
10439236	8F	90 cm	GE-VIVID i™ VIVID q™

Associated Cable:

Catalog No.:	Connects
CG2025CT	Catheter to CARTO® 3 System PIU
EM5050011	SOUNDSTAR® 3D eco Cable compatible with CARTO® 3 System

*This product is not regulatory approved and not commercially available. Please contact your local BW representative for availability.

SOUNDSTAR® 3D Ultrasound Catheter



European Ordering No.	Outer Diameter	Insertion Length	System Compatibility
SNDSTR10	10F	90 cm	Siemens SEQUOIA™, SC 2000™ CYPRESS™, ACUSON X300™
SNDSTR10G	10F	90 cm	GE-VIVID i™ VIVID q™

Associated Cable:

Catalog No.:	Connects
CG2025CT	Catheter to CARTO® 3 System PIU

ACUNAV™ Ultrasound Catheter



European Ordering No.	Outer Diameter	Length	System Compatibility*
08255790	10F	90 cm	Siemens Sequoia™, SC 2000™, CYPRESS™, ACUSON X300™, ACUSON X700™, S SERIES™
10043342	10F	90 cm	GE-VIVID i™, GE-VIVID q™

* Please contact your Biosense Webster representatives for further details on exact compatible versions. The third party trademarks used herein are trademarks of their respective owners.

ACUNAV™ Ultrasound Catheter



European Ordering No.	Outer Diameter	Length	System Compatibility*
10135936	8F	90 cm	Siemens Sequoia™, SC 2000™, CYPRESS™, ACUSON X300™, ACUSON X700™, S SERIES™
10135910	8F	90 cm	GE-VIVID i™, GE-VIVID q™

* Please contact your Biosense Webster representatives for further details on exact compatible versions. The third party trademarks used herein are trademarks of their respective owners.

SYSTEM COMPATIBILITY

CARTOSOUND® Module System Compatibility*

	SEQUOIA™	CYPRESS™	ACUSON X300™	VIVID i™	VIVID q™
ACUNAV™ Catheter Option	Required	Required	Required	Required	Required
BWI Comm Kit	BWI COMM KIT Prespective Router and Software 4-6 weeks leadtime	No Kit Required	BWI COMM KIT Prespective Router and Software 4-6 weeks leadtime	VGA SPLITTER KIT VGA Splitter Box Power Cord 2 DVI cables Software 1 week leadtime	Required VGA Splitter Box Power Cord 2 DVI cables Software 1 week leadtime
Ultrasound Software Level	10, 11, and 12.221	14 and 20	5, 6 and 7	BT10, BT11, BT12 with CARTOSOUND® Module Interface Software	BT10, BT11, BT12 with CARTOSOUND® Module Interface Software
CARTO® System Software Required	CARTO® XP System or CARTO® 3 System	CARTO® XP System or CARTO® 3 System	ACUSON X300™ V7 and below: CARTO® XP System and CARTO® 3 System ACUSON X300™ V7: CARTO® 3 System only	CARTO® XP System or CARTO® 3 System	CARTO® XP System or CARTO® 3 System

ACUNAV™ Catheter System Compatibility

Siemens	SEQUOIA™	CYPRESS™	ACUSON X300™	SC2000™
GE	VIVID i™	VIVID q™		

ACUNAV™ Catheter System Compatibility

Compatibility	Ultrasound Catheters	Product Codes	Label Color	Handle Color
Siemens	ACUNAV™ 10Fr 90 cm	08255790	Blue	White Handle, Blue Knobs
Siemens	ACUNAV™ 8Fr 90 cm	10135936	Blue	Blue Handle, White Knobs
Siemens	SOUNDSTAR® eco 10Fr 90 cm	SNDSTR10	Green	Black Handle, Blue Knobs
Siemens	SOUNDSTAR® 10Fr 90 cm	10438577	Yellow	White Handle, Blue Knobs
Siemens	SOUNDSTAR® eco 8Fr 90 cm	10439011		Blue Handle, White Knobs
GE	ACUNAV™ 10Fr 90 cm	10043342	Orange	White Handle, Blue Knobs
GE	ACUNAV™ 8Fr 90 cm	10135910	Orange	Blue Handle, White Knobs
GE	SOUNDSTAR® 10Fr 90 cm	SNDSTR10G	Purple	Black Handle, Blue Knobs
GE	SOUNDSTAR® eco 10Fr 90 cm	10439072	Grey	White Handle, Blue Knobs
GE	SOUNDSTAR® eco 8Fr 90 cm	10439236		Blue Handle, White Knobs



RF Generators and Pump Systems ● ● ● ●



nMARQ™ System

nMARQ™ System	81
nMARQ™ System Generator Components and Spare parts	82
nMARQ™ System Service Contracts	83

SMARTABLATE™ System

SMARTABLATE™ System	85
SMARTABLATE™ System Diagram	86

Stockert EP Shuttle Generator

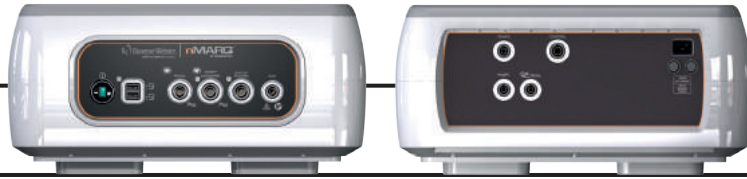
Stockert EP Shuttle RF Generators	88
Indifferent Electrodes and Corresponding Connection Cables	88
Spare Parts and Others	89
Stockert EP Shuttle Accessories	90
Service Contracts	90

COOLFLOW® Pump

COOLFLOW® Pump Set	91
COOLFLOW® Pump Tubing ¹	91
COOLFLOW® Pump Accessories	92
Service Contracts	92
Diagram - Fully Integrated COOLFLOW® Pump System	93

¹ Tubing to be used with COOLFLOW® Pump.

nMARQ™ System*



European
Ordering No.

Product Description

D134107	nMARQ™ Multi-Channel RF Generator nMARQ™ Multi-Channel RF Generator to CARTO® 3 System Cable (2m) nMARQ™ Multi-Channel RF Generator to CARTO® 3 System Cable Assembly (20 PIN Generator to 20 PIN CARTO® 3 System) (3.0m) ECG Stimulator Cable (3m) Touch-Screen Monitor Cable (3m) nMARQ™ RF Generator Remote Monitor Cable (2m) COOLFLOW® Pump Cable (3.0m) nMARQ™ RF Generator Monitor to CARTO® 3 System Connection Kit Touch-Screen Monitor Fiber Optic Cable (9m) Footswitch Interface Cable (Foot Pedal) (5m) nMARQ™ System Monitor
D136301	nMARQ™ System Remote Monitor
M583161	nMARQ™ Generator Cart
M593401	nMARQ™ SW Upgrade Kit

Associated pump:

Catalog No.:	Description
CFP-001	COOLFLOW® pump

*The component list is for information only, please contact EHQ for further information and availability.

nMARQ™ System Generator Components and Spare parts*

European Ordering No.	Product Description
M581001	nMARQ™ Generator to CARTO® System Cable for nMARQ™ Catheter
M581003	nMARQ™ Generator to CARTO® System Cable for NAVISTAR® THERMOCOOL® Catheter
M581101	ECG Simulator Cable
M581202	nMARQ™ Generator to Touch-Screen Monitor Cable
M581501	nMARQ™ Generator to COOLFLOW® Pump Cable
M581801	Footswitch Interface Cable (Foot Pedal)
M582002	Shipping Case Monitor
M582005	Shipping Case, RF Generator
M583163	Power Cord, RF Generator
M583164	Spare Fuse for RF Generator
M583165	Power Cord, Local Monitor Power Supply (PS)
M583166	Power Supply, Monitor
M583107	Monitor to CARTO® System Connection Kit
M583119	Fiber Optic Connection Cable from nMARQ™ Generator Monitor CARTO® 3 System Serial Modem
M583120	Optic Cable (10m)
M583121	D89-M to D89-F Extender Cable
M583122	USB to Serial Converter, USB-A to USB-B
M591102	nMARQ™ Power Cord Kit UK
M591106	nMARQ™ Power Cord Kit Israel
M591107	nMARQ™ Power Cord Kit Switzerland
M583176	RF Generator console
M583174	Monitor with software
M583169	Power cord for remote monitor
M585801	Monitor identification key for remote monitor
M589703	Fast Ethernet media converter

* The component list is for information only, please contact EHQ for further information and availability.

nMARQ™ System Service Contracts

European Ordering No.	Product Description
nMQPLAY1	nMARQ™ System Platinum Service Contract 1 year
nMQPMY1	nMARQ™ System Preventive Maintenance for 1 year
nMQEXTY1	nMARQ™ System Warranty Extension for 1 year
nMQPLAY2	nMARQ™ System Platinum Service Contract 2 years
nMQPMY2	nMARQ™ System Preventive Maintenance for 2 years
nMQEXTY2	nMARQ™ System Warranty Extension for 2 years
nMQPLAY3	nMARQ™ System Platinum Service Contract 3 years
nMQPMY3	nMARQ™ System Preventive Maintenance for 3 years
nMQEXTY3	nMARQ™ System Warranty Extension for 3 years
nMQPLAUPG	nMARQ™ System service upgrade from Warranty to Platinum

nMARQ™ System Service Contracts

Biosense Webster delivers high quality products and we also do our best to exceed your expectations with our high level of service provided by our professionally trained Field Service Engineers. The Technical Service Team has built a reputation of maintaining a high level of system performance through fast and efficient service.

• Preventive Maintenance

The **Preventive Maintenance** Service Contract provides the following coverage:

- One yearly Preventive Maintenance
- 90 days guarantee for replaced assemblies
- Phone support
- On-failure response time is determined by resource availability
- Loaner systems provided according to availability
- Repair of faulty assemblies - by the manufacturer and according to his repair cycle time
- Labor for failure repair during PM is not charged

The **Preventive Maintenance** Service Contract is available for 1 year, 2 years or 3 years. Please check prices with your Biosense Webster sales representative.

• Warranty Extension*

The **Warranty Extension** Service Contract includes the following services:

- Same coverage as in the warranty policy
- Repair for all type of failure except damage by user – covering all labor cost and parts (replacement unit)
- Access to phone support 7AM-7PM on normal business day
- Cables and accessories excluded
- No guaranteed response time
- One system relocation within the facility

The **Warranty Extension** Service Contract is available for 1 year, 2 years or 3 years.

Please check prices with your Biosense Webster sales representative.

• Platinum Contract*

The **Platinum** Service Contract provides the following services:

- Full coverage over warranty extension
- Repair for all types of failure
 - *Covering all labor cost and parts (replacement unit)*
 - *Excludes coverage for water and/or fire debris*
- Includes 1 maintenance during service year
- Free replacement cables and accessories
- 2 business days response time guaranteed
- Unlimited system relocations

The **Platinum** Service Contract is available for 1 year, 2 years or 3 years.

Please check prices with your Biosense Webster sales representative.

* The CARTO® 3 System has to be functional. Any damage or malfunction will be managed according to pre-existing service condition/entitlement.

SMARTABLATE™ System



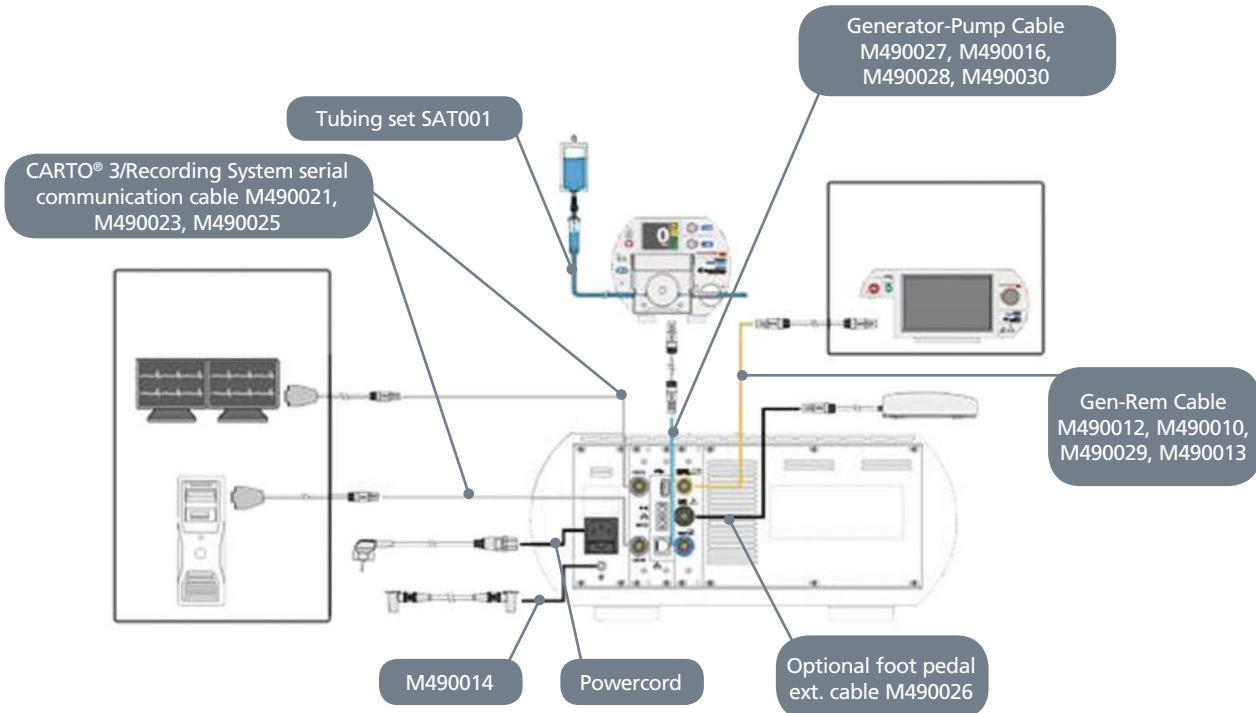
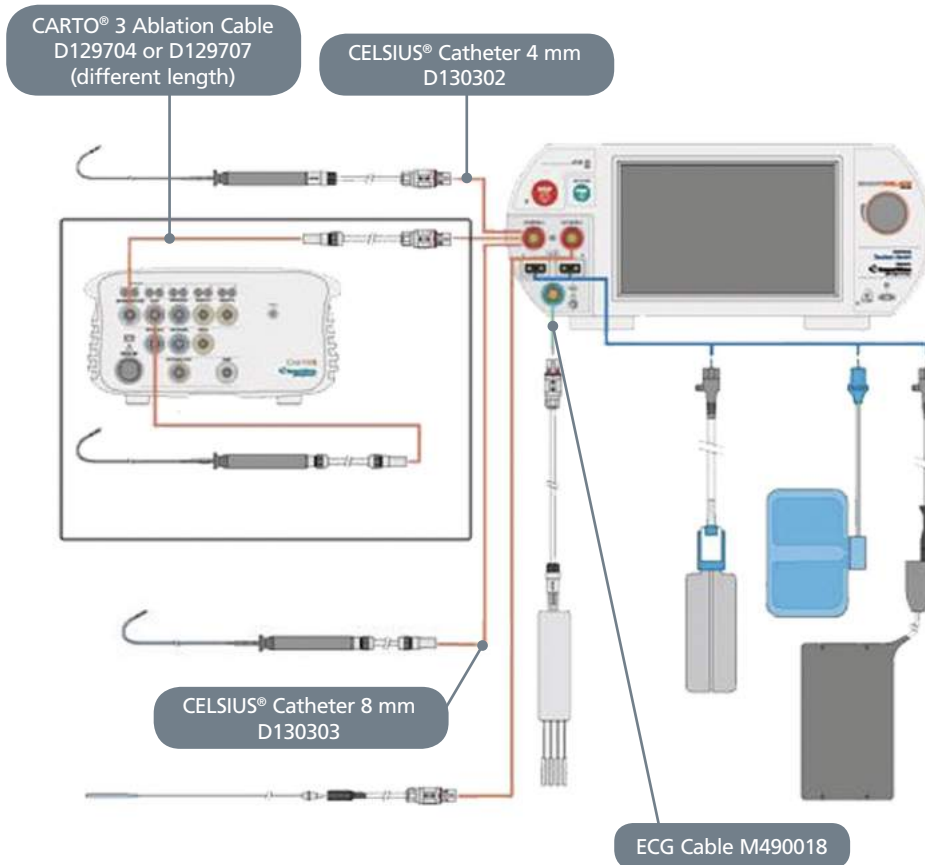
European Ordering No. System	Product Description	Included in the SMARTABLATE™
M4900106*	SMARTABLATE™ System: SMARTABLATE™ Generator, SMARTABLATE™ Irrigation Pump, SMARTABLATE™ Remote control, Power Cord Cable, foot Pedal	X
SAT001	SMARTABLATE™ System Irrigation tubing set	
M490005	Foot pedal	X
M490012	SMARTABLATE™ Generator-Rem Cable (25m)	X
M490010	SMARTABLATE™ Generator-Rem Cable (10m)	
M490029	SMARTABLATE™ Generator-Rem Cable (15m)	
M490013	SMARTABLATE™ Generator-Rem Cable (30m)	
M490026	SMARTABLATE™ System Foot pedal ext. cable (7m)	
M490027	SMARTABLATE™ Generator-Rem Cable (1m)	
M490016	SMARTABLATE™ Generator-Rem Cable (3m)	
M490028	SMARTABLATE™ Generator-Rem Cable (5m)	X
M490030	SMARTABLATE™ Generator-Rem Cable (10m)	
M490031	Stockert RF Gen-SMARTABLATE™ Pump Cable (3m)	
M490021	SMARTABLATE™-System-SCom Recording/CARTO® System Cable (3m)	
M490023	SMARTABLATE™-System-SCom Recording/CARTO® System Cable (10m)	X
M490025	SMARTABLATE™-System-SCom Recording/CARTO® System Cable (5m)	X
M490014	SMARTABLATE™ System Ground Cable (3m)	X
M490017	Connection cable from Stockert Testbox III to an Indifferent Electrode	
M490018	SMARTABLATE™ System ECG Cable (3m)	X
M490037	IV Pole Clamp	X
39F45X	Stockert Testbox III	
M4900602**	SMARTABLATE™ System Power Cord-UK	
M4900603**	SMARTABLATE™ System Power Cord-Russia	
M4900605**	SMARTABLATE™ System Power Cord-Switzerland	
M4900606**	SMARTABLATE™ System Power Cord-Israel	
MA5402100***	SMARTABLATE™ System cart upgrade kit	
M490034	SMARTABLATE™ System Erbe Indifferent Electrode Cable (3m)	
M490035	SMARTABLATE™ System 3M Indifferent Electrode Cable (3m)	
M490043	SMARTABLATE™ System Erbe Indifferent Electrode Cable (5m)	
M490044	SMARTABLATE™ System 3M Indifferent Electrode Cable (5m)	

* If intended to be connected to CARTO® 3 System, please order D129704 or D129707.
For related cables, please see page 112.

** Please order 3 times.

*** For availability, please contact your Biosense Webster Representative.

SMARTABLATE™ System Diagram



SMARTABLATE™ System Service Contracts

European Ordering No.	Product Description
SMAPRIV1	Privilege 1 Year SMARTABLATE™ System Complete Maintenance
SMAPRIV2	Privilege 2 Year SMARTABLATE™ System Complete Maintenance
SMAPRIV3	Privilege 3 Year SMARTABLATE™ System Complete Maintenance

• Privilege

The **Privilege** Service Contract provides the following services:

- On-failure response time commitment
- Spare parts sent the same day (order before 1PM CET for loaners and 4PM CET for peripherals)
- Phone / email support
- Repair Labor
- Loaner for the repair time
- Faulty Parts including peripherals and damaged parts (excluding fire or water debris)
- One yearly Preventive Maintenance

The **First Year Warranty** includes the following:

- All terms of a **Privilege** Service Contract excluding the peripherals and damaged parts

STOCKERT EP SHUTTLE GENERATOR

Stockert EP Shuttle RF Generators



European
Ordering No.

Product Description

39D72X*	Stockert EP Shuttle RF Generator (100W) - no accessories
39D75X*	Stockert EP Shuttle RF Generator, PACKAGE 1**
39D76X*	Stockert EP Shuttle RF Generator, PACKAGE 2**
39D79X*	Remote control for Stockert EP Shuttle RF Generator

Indifferent Electrodes and Corresponding Connection Cables

European
Ordering No.

Product Description


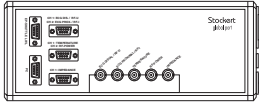

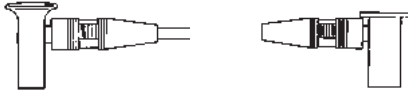
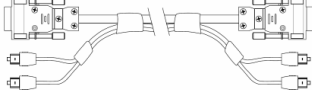


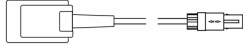

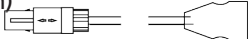
39D12X	Connection Cable for "3M" indifferent patch electrode (Redel-2 to "3M"-clip connector)
39D12X5	Connection Cable for "3M" indifferent patch electrode (Redel-2 to "3M"-clip connector, 5m)
39D15X	"Erbe" indifferent electrode (17 x 11 cm for children, reusable)
39D19X	"Erbe" indifferent electrode (17.5 x 29.5 cm for adults, reusable)
39D16X	Connection cable for "Erbe" indifferent electrode (Redel-2 to "Erbe"-Plug, 3 m)
39D16X5*	Connection cable for "Erbe" indifferent electrode (Redel-2 to "Erbe"-Plug, 5 m)
39D82X	Connection cable for Valleylab™ indifferent electrode (Redel-2 to Valleylab™-Plug, 3 m)
39F27R*	Multipurpose connection cable indifferent electrode (4 mm Banana-Plug)

* For availability, please contact your local Biosense Webster representative.

** For specification see the following page.

STOCKERT EP SHUTTLE GENERATOR

Spare Parts and Others

European Ordering No.	Product Description	Package 1	Package 2
39D03X	Foot pedal 	X	X
39D05X*	Global Port (interface between Stockert EP Shuttle RF Generator and 623 PC/EP monitoring system, provides marker signals and digital ECG) 		X
39D06X*	Serial interface cable Workstation to Global Port 		X
39D14X*	Grounding cable 	X	X
39D21X	Connection cable Stockert EP Shuttle RF Generator - Global Port (SubD+2xLWL to SubD+2xLWL), 3 m 		X
39D83X	ECG output cable 	X	X
39D90X	EP/IO Interface box		
39D91X	Connection cable EP- Shuttle to EP/IO, 2.9 m		
39D72X	 Stockert EP Shuttle RF Generator (100W)	X	X
39D12X	Connection cable for "3M" indifferent patch electrode 	X	X
39E43R	Cable for CELSIUS® Ablation Catheter (TC/THR) 	X	X
39D82X	Connection cable for Valleylab™ indifferent electrode (Redel-2 to Valleylab™-Plug, 3 m) 	X	X

* For availability, please contact your local Biosense Webster representative.

STOCKERT EP SHUTTLE GENERATOR

Stockert EP Shuttle Accessories

European Ordering No.	Product Description
39F28X10 ¹	Connection cable remote control to Stockert EP Shuttle RF Generator, 10 meters
39F28X15	Connection cable remote control to Stockert EP Shuttle RF Generator, 15 meters
39F28X20 ¹	Connection cable remote control to Stockert EP Shuttle RF Generator, 20 meters
39F28X30	Connection cable remote control to Stockert EP Shuttle RF Generator, 30 meters
39D60X	COOLFLOW® Pump Control Interface Cable (6 m)
39D60X10	COOLFLOW® Pump Control Interface Cable (10 m)

Service Contracts

European Ordering No.	Product Description
SHUTBC1	Basic 1 Year EP Shuttle Preventive Maintenance
SHUTPV1 ²	Privilege 1 Year EP Shuttle Complete Maintenance
SHUTPVP1 ³	Privilege Plus 1 Year EP Shuttle Complete Maintenance with Peripherals

¹ For availability, please contact your local Biosense Webster representative.

² Preventive Maintenance, Corrective Maintenance, Spare Parts, and Loaners.

³ Preventive Maintenance, Corrective Maintenance, Spare Parts, Loaners, and Peripherals.

COOLFLOW® Pump Set

European
Ordering No.

Product Description

CFP001

Irrigation Pump Set (includes user's manual, poleclamp, and powercord)



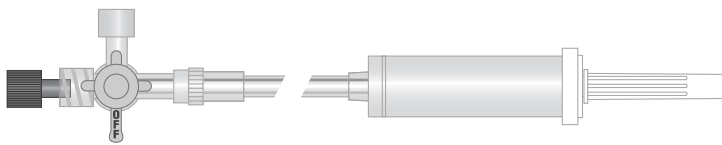
COOLFLOW® Pump Tubing¹

European
Ordering No.

Product Description


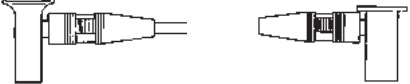
CFT001

COOLFLOW® Pump Tubing (1 per pack)



¹ Tubing to be used with COOLFLOW® Pump.

COOLFLOW® Pump Accessories

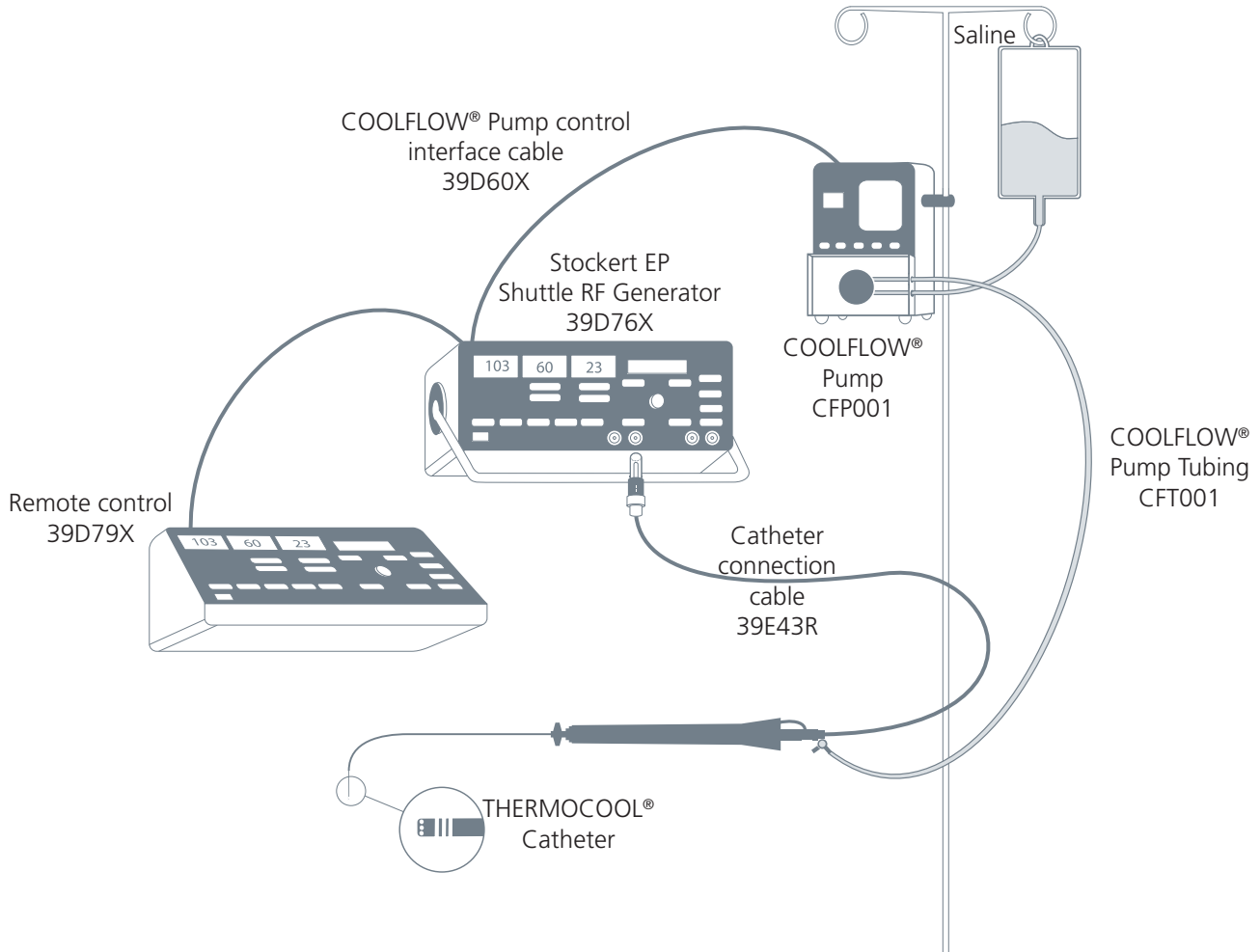
European Ordering No.	Product Description
39D03X	Foot pedal 
39D14X*	Grounding cable 
39D60X	COOLFLOW® Pump Control Interface Cable
CFP003*	Poleclamp
CFP006*	SMARTABLATE™/ COOLFLOW® Pump Flow Rate Verification Kit

Service Contracts

European Ordering No.	Product Description
CFPPV1 ¹	Privilege 1 Year COOLFLOW® Pump Complete Maintenance
CFPPVP1 ²	Privilege Plus 1 Year COOLFLOW® Pump Complete Maintenance with Peripherals

* For availability, please contact your local Biosense Webster representative.
¹ Preventive Maintenance, Corrective Maintenance, Spare Parts, and Loaners.
² Preventive Maintenance, Corrective Maintenance, Spare Parts, Loaners, and Peripherals.

Diagram - Fully Integrated COOLFLOW® Pump System



NOTES

A series of horizontal dotted lines for writing notes.



Systems



CARTO® 3 System

- CARTO® 3 System 97
- CARTO® 3 System Accessories 97
- CARTO® 3 System Software Module 99
- CARTO® 3 System Service Contracts 99-100
- CARTO® 3 System External Reference Patch..... 101

CARTO® 3 System



Cart Configuration

European Ordering No.	Product Description
FG540000	CARTO® 3 System (PIU, Location Pad, Workstation, Accessories) ³
FG540000U	CARTO® 3 System (PIU, Location Pad, Workstation, Accessories) ³ OBL*
C3RMT**	CARTO® System RMT Module ¹
EM540200	CARTO® 3 System Cart ¹
EM5402020	CARTO® 3 Workstation Cart ¹
MA5402100***	SMARTABLATE™ System cart upgrade kit
MA540013	Patient Interface Unit (PIU) Table Arm ¹
CP240724F	24" Computer Monitor ²⁻³
KT5400101	GE Recording System-Cables kit (4 cables, KIT needed for customers with GE System) ³
KT5400102	Generic Recording System-Cables kit (2 cables, ICOUT & BSECG Cable) ³

CARTO® 3 System Accessories

European Ordering No.	Product Description	Included in CARTO® 3 System
EM540003	Pin Box	X
KT5400103	DVI-to-DVI Fiber-Optic 98Ft (30m) Shield	X
CW417830F	Fiber-Optica Duplex SC-to-MTRJ 62.5/125W	X
CA540006	Ablation Adaptor Cable	X
CA540011	24V Power Cable	X
CA5400161	Two Pairs STIM Cable -3m (part of GE Recording System Cable Kit)	
CA5400162	Two Pairs STIM Cable - 6m*	

* OBL refers to Own Brand Labeling. For availability, please contact your local Biosense Webster representative.
Contact your customer service for lead time information.

** This is make-to-order so expect lead times. Contact your customer service for lead time information.

*** For availability, please contact your local Biosense Webster representative.

1 This item is optional. For further details, refer to your customer regarding lab set up preferences.

2 Please note that two are needed.

3 Please note that these items are mandatory and needed for a full functional CARTO® 3 System.

CARTO[®] 3 System Accessories - continued

European Ordering No.	Product Description	Included in CARTO [®] 3 System
CA540019	BW-GE BS-ECG Cable (part of GE Recording System)	
CA540021	BW-GE ICEG Cable (part of GE Recording System Kit)	
CA540017	STIM SPLITTER CARTO [®] - CARDIOLAB (part GE Recording System Kit)	
EM540015	Foot Pedal Assy	X
EM540020	ECG OUT CONNECTION UNIT (part of Generic Recording System Kit)	
EM5400201	Dual ECG Out Connection Unit	
CA540012	IC Out Cable (part of Generic Recording System Kit)	
CA540151	LOCATION PAD EXTENTION CABLE	X
KT0001429*	Patch Unit Holder Upgrade Kit*	
CA404103	JB PACING AUX.	X
CA404104	PACING EXTENTION CABLE	
CA400811	GROUNDING CABLE	X
CA401214*	POWER CORD (EUR)	X
KT0001427*	Cable Isolator Clamps Kit	
MA5400501	550 mm Location Pad Holder (molded)	X
MA5400801*	750 mm Location Pad Holder (molded, optional)*	
CW-3902-30F	BNC-to-DVI-I Cable 75ohm 30m W/Shrink-Cover ¹	
CW-3903-30F	T-Type15(F) to DVI-I Video Cable 75ohm 30m Molded ¹	
KT0001438*	LPH Mounting Kit (for 90 mm height)	
KT0001439*	LPH Mounting Kit (for 65 mm height)	
KT0001440*	LPH Mounting Kit (for 160 mm width)	
CA5400081	RMT Map Adaptor Cable (part of the CR RMT)	
CW540720N	BS-ECG Cable - 2m	X
CW540815N	BS-ECG 5-Lead Set: 4 Limbs 1.8m & 1V 1.5m	X
CW540915N	BS-ECG 5-Lead Set: 5xVi 1.5m	X
CW540806N*	BS-ECG 5-Lead Set: 4 Limbs 1m & 1V 0.6m	
CW540906N*	BS-ECG 5-Lead Set: 5xVi 0.6m	
KT540059*	CARTO [®] 3 Interface Cable for Basket Catheter	

* For availability, please contact your local Biosense Webster representative.

¹ These items are optional and are part of the C3 Sound.

CARTO® 3 System Software Module

European Ordering No.	Product Description
KT5400124	CARTOUNIVU™ Software Module
KT5400127	CARTO® 3 System V3.2.3. upgrade kit for 3500 WS (CARTO® 3 MEM version)
KT5400128	CARTO® 3 System V3.2.3. upgrade kit for 3400 WS (CARTO® 3 MEM version)
KT5400129	CARTO® 3 System V3.2.3. upgrade kit for T3400 w/ Video Card (CARTO® 3 MEM version)
KT5400134	CARTO® 3 System V3.2.3. upgrade kit for 3600 WS (CARTO® 3 MEM version)
KT5400134U	CARTO® 3 System V3.2.3. upgrade kit for 3600 WS (CARTO® MEM version) OBL*
KT5400130	VISITAG™ Software Module
C3SOUND	CARTOSOUND® Image Integration Software Module
C3MERGE	CARTOMERGE® Image Integration Module
C3CFAE	CFAE Software Module
C3TOUCH	CARTO SMARTTOUCH™ Module
C3PASO	PASO™ Software Module
C3REPLAY	CARTOREPLAY™ MODULE
C3CONFD	CARTO® 3 CONFIDENSE™ Mapping Module
C3CNFDRPLY	CARTO® 3 CONFIDENSE™ Mapping Module & CARTO® REPLAY™ Module
C3V4	CARTO® 3 Version 4 Base

CARTO® 3 System Service Contracts

European Ordering No.	Product Description
C3PREMY1	CARTO® 3 System PREMIUM Service Contract 1 Year
C3PREMUPY1	Upgrade to CARTO® 3 System PREMIUM Service Contract 1 Year - under warranty period
C3PREMY2	CARTO® 3 System PREMIUM Service Contract 2 Years
C3PREMUPY2	Upgrade to CARTO® 3 System PREMIUM Service Contract 2 Years
C3PREMY3	CARTO® 3 System PREMIUM Service Contract 3 Years
C3PREMUPY3	Upgrade to CARTO® 3 System PREMIUM Service Contract 3 Years
C3EXTY1	Extended Warranty Policy for CARTO® 3 System 1 year
C3EXTY2	Extended Warranty Policy for CARTO® 3 System 2 years
C3EXTY3	Extended Warranty Policy for CARTO® 3 System 3 years

Note: Please contact your local Biosense Webster representatives or the technical team to order these codes.

* OBL refers to Own Brand Labeling.

CARTO® 3 System Service Contracts

Biosense Webster delivers high quality products and we also do our best to exceed your expectations with our high level of service provided by our professionally trained Field Service Engineers. The Technical Service Team has built a reputation of maintaining a high level of system performance through fast and efficient service.

- **Premium Service Contract**

The **Premium Service Contract** ensures that your CARTO® 3 System is protected against any accidental damage and available for use at all times. In addition to the standard warranty terms, the upgrade to the **Premium Service** provides the following enhanced coverage:

- Replacement / Repair for any accidental damage (including any system parts)
- Replacement of any kind of system cable
- 2 business days of service response time guaranteed
- Multiple system relocations
- Priority in repair and software updates over customers without *Premium service contract*

After the warranty period, the **Premium Service Contract** will be available to cover - besides the above mentioned services -all the manufacturer defects and access to loaner unit.

- **Warranty Extension**

The **Warranty Extension** includes the following services:

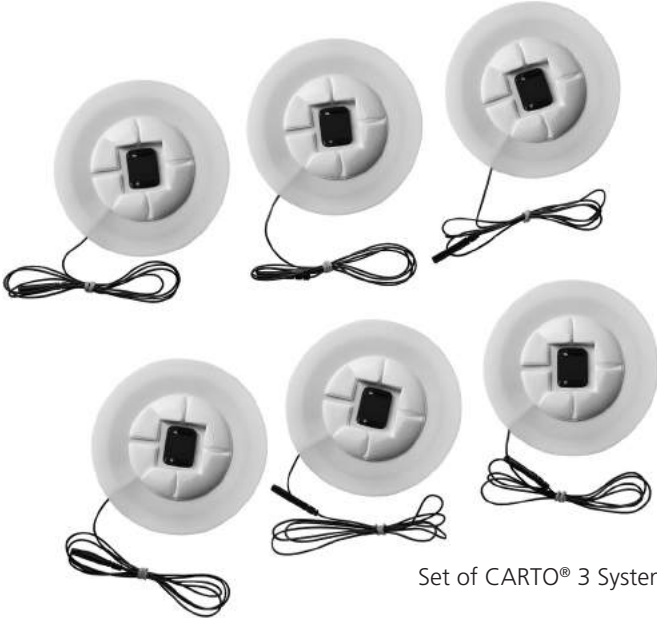
- All repairs for system breakdown (including labor, parts and travel)
- 12-Hour Call Center telephone support
- Software updates*
- One relocation
- One breakage of each defined system cable and accessories per year
- One accidental hardware (Patient Interface Unit, Location Pad, Workstation) breakage per year

The **Warranty Extension** is available for 1 year, 2 years or 3 years.

Please check prices with your Biosense Webster sales representative.

* Software update as part of Biosense Webster continuous dedication to enhance system software development. This does not cover software update including new software functionalities/ module such as CARTO® 3 SMARTTOUCH™ Software Module, etc.

CARTO® 3 System External Reference Patch



Set of CARTO® 3 System External Reference Patches

European
Ordering No.

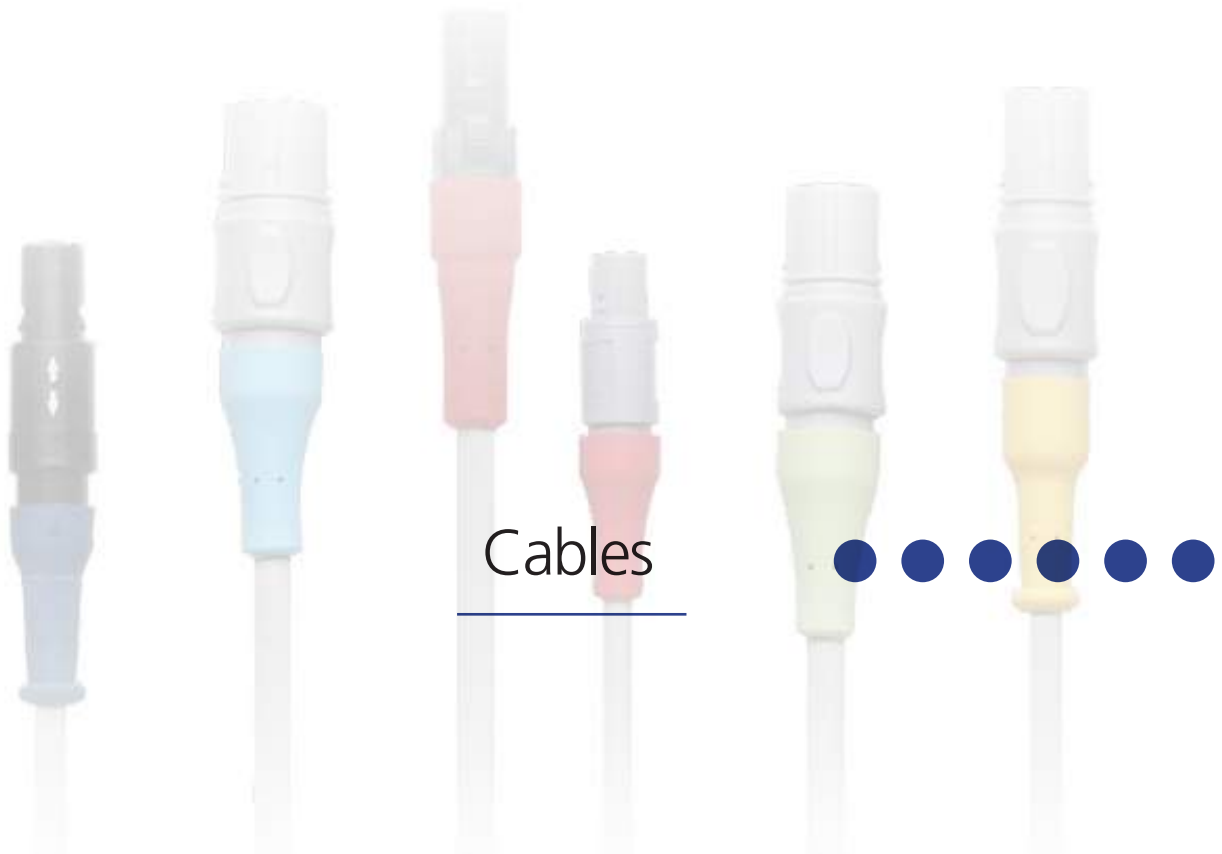
Product Description

CREFP6

CARTO® 3 System External Reference Patches - Set of 6

NOTES

A series of horizontal dotted lines for writing notes.



Cables

Charts

CONNECTION OF CHOICE® Chart	104-105
nMARQ™ System Cable Connection Chart	106-109

Cables

CARTO® 3 System Cables	110
nMARQ™ System Cables	111
Interface Cable EP Shuttle RF Generator	112
Interface SMARTABLATE™ System Cables	112

Non-Navigation

Non-Navigation DIAGNOSTIC CABLES	113
Non-Navigation ABLATION CABLES	113

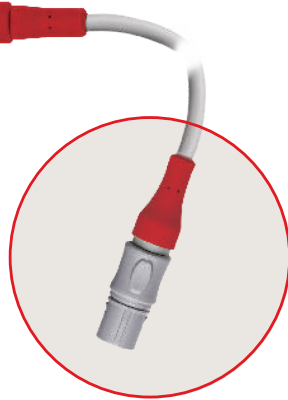
Reverse Cables

Reverse Cables	114
----------------------	-----

CONNECTION OF CHOICE[®] Chart

CR3425CT

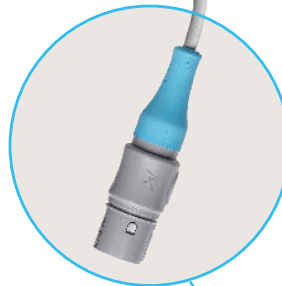
Existing NAVISTAR[®]
and EZ STEER[®]
NAV Catheters



CB3412CT

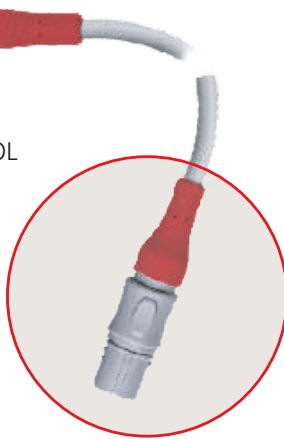
WEBSTER[®] Decapolar
Catheters with Auto ID-Fixed
and Deflectable

WEBSTER[®] CS Bi-Directional
Catheters with EZ STEER[®]
Technology and Auto ID



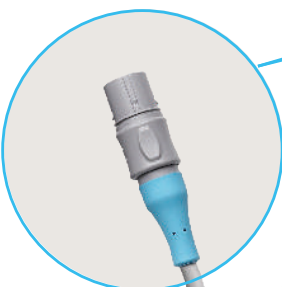
CR3434CT

Existing THERMOCOOL
SMARTTOUCH[®]
SF Catheters



CB3434CT

LASSO[®] 2515 NAV
Catheters and THERMOCOOL[®]
SF with curve visualization



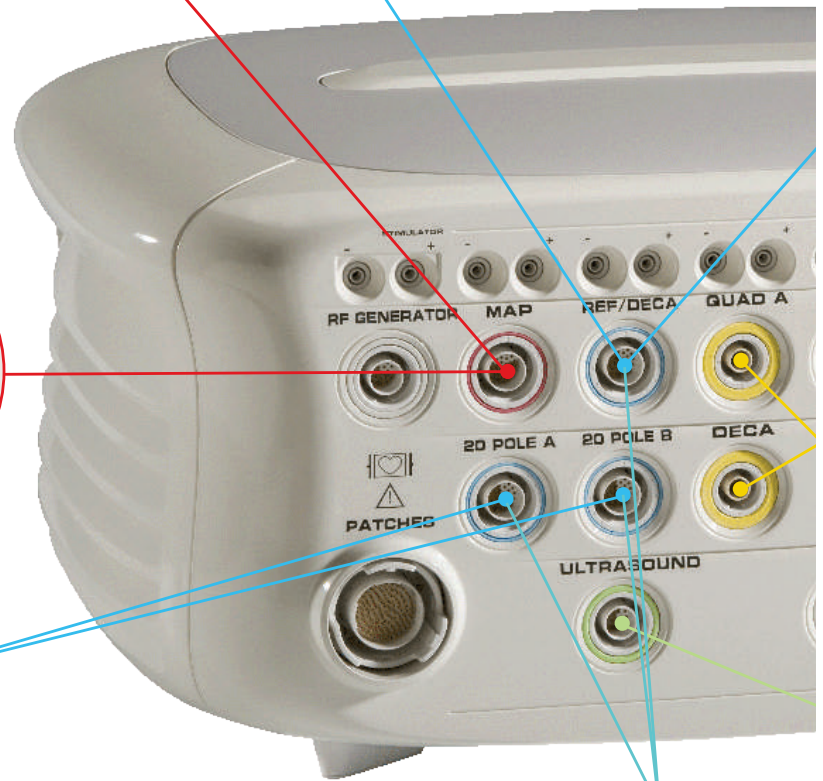
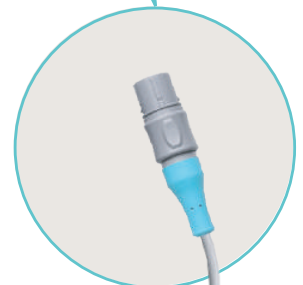
D134401

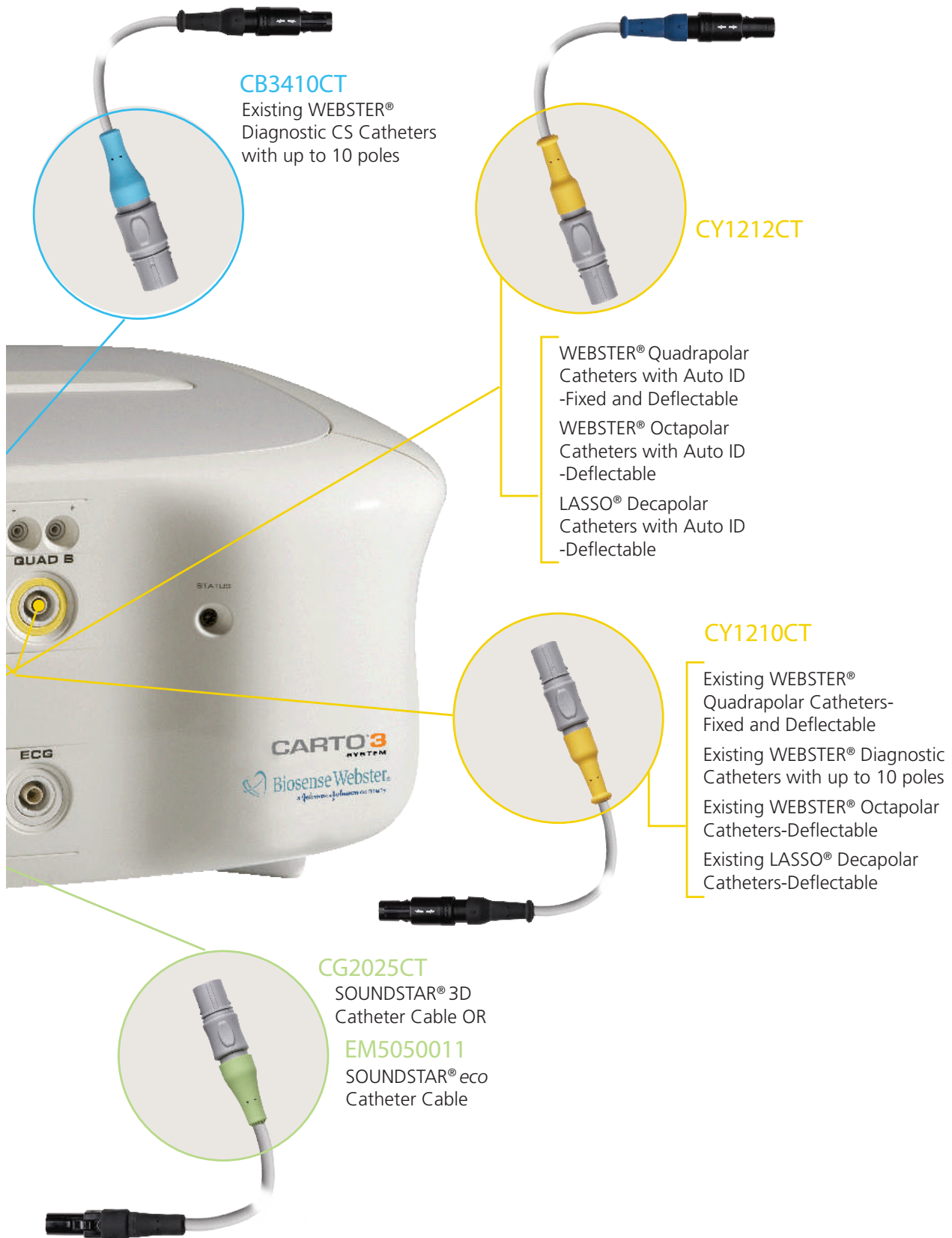
CARTO[®] 3 System eco
Interface Cable

AND

EM5050060

20 pole eco
Cable





CB3410CT
Existing WEBSTER®
Diagnostic CS Catheters
with up to 10 poles

CY1212CT

WEBSTER® Quadrapolar
Catheters with Auto ID
-Fixed and Deflectable
WEBSTER® Octapolar
Catheters with Auto ID
-Deflectable
LASSO® Decapolar
Catheters with Auto ID
-Deflectable

CY1210CT

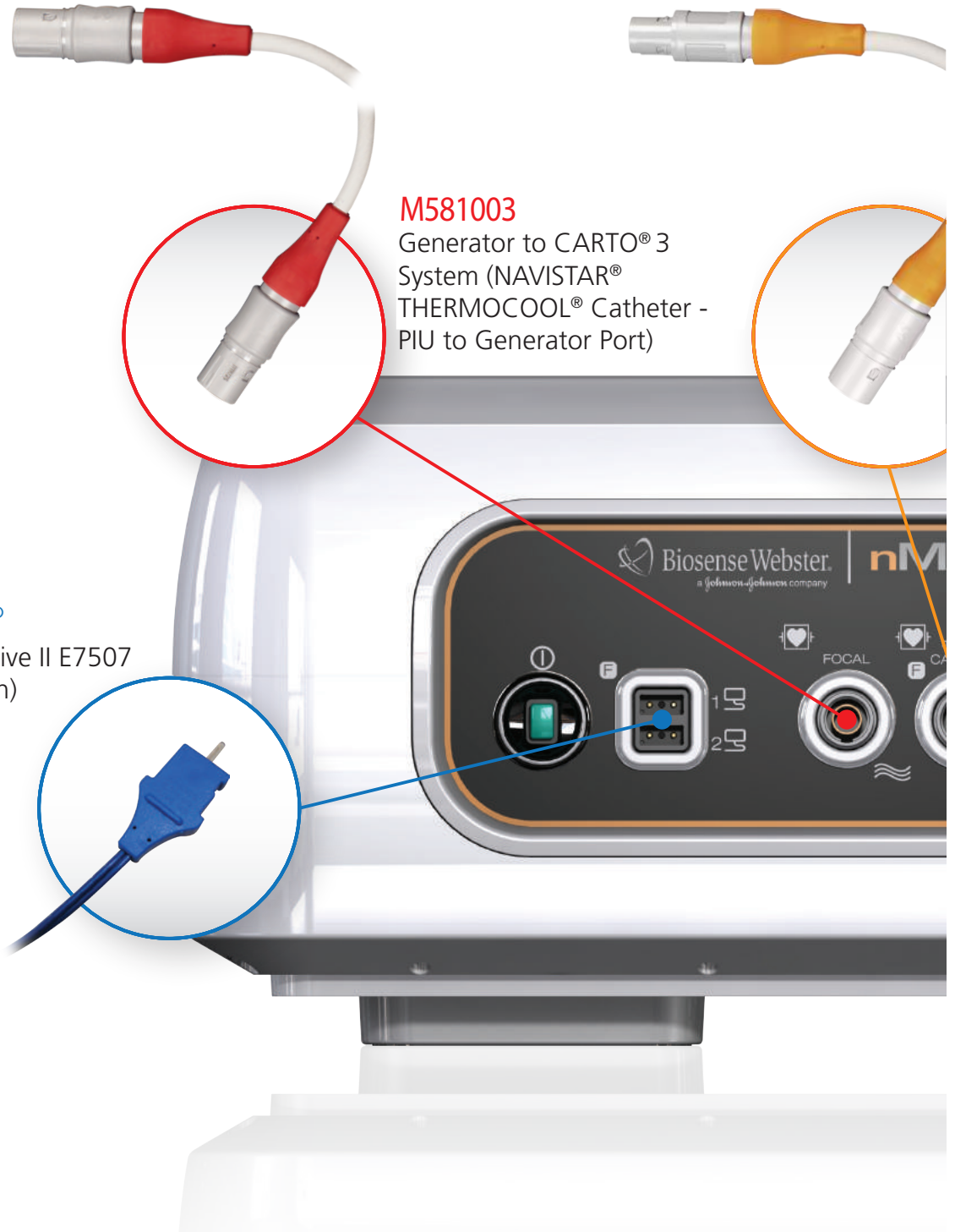
Existing WEBSTER®
Quadrapolar Catheters-
Fixed and Deflectable
Existing WEBSTER® Diagnostic
Catheters with up to 10 poles
Existing WEBSTER® Octapolar
Catheters-Deflectable
Existing LASSO® Decapolar
Catheters-Deflectable

CG2025CT
SOUNDSTAR® 3D
Catheter Cable OR
EM5050011
SOUNDSTAR® eco
Catheter Cable

© Biosense Webster, Inc. 2013

ValleyLab®
REM Polyhesive II E7507
(Return Patch)

M581003
Generator to CARTO® 3
System (NAVISTAR®
THERMOCOOL® Catheter -
PIU to Generator Port)

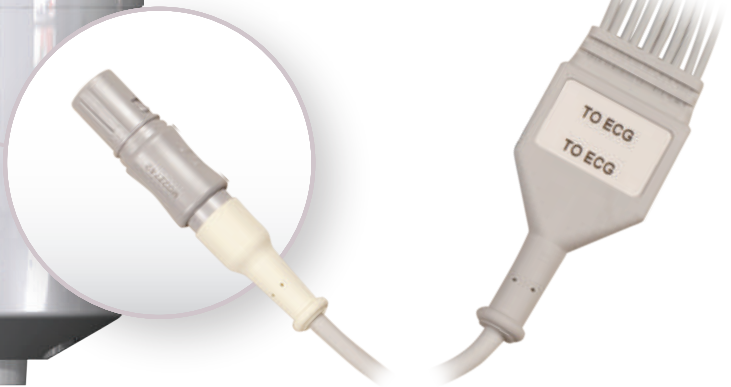


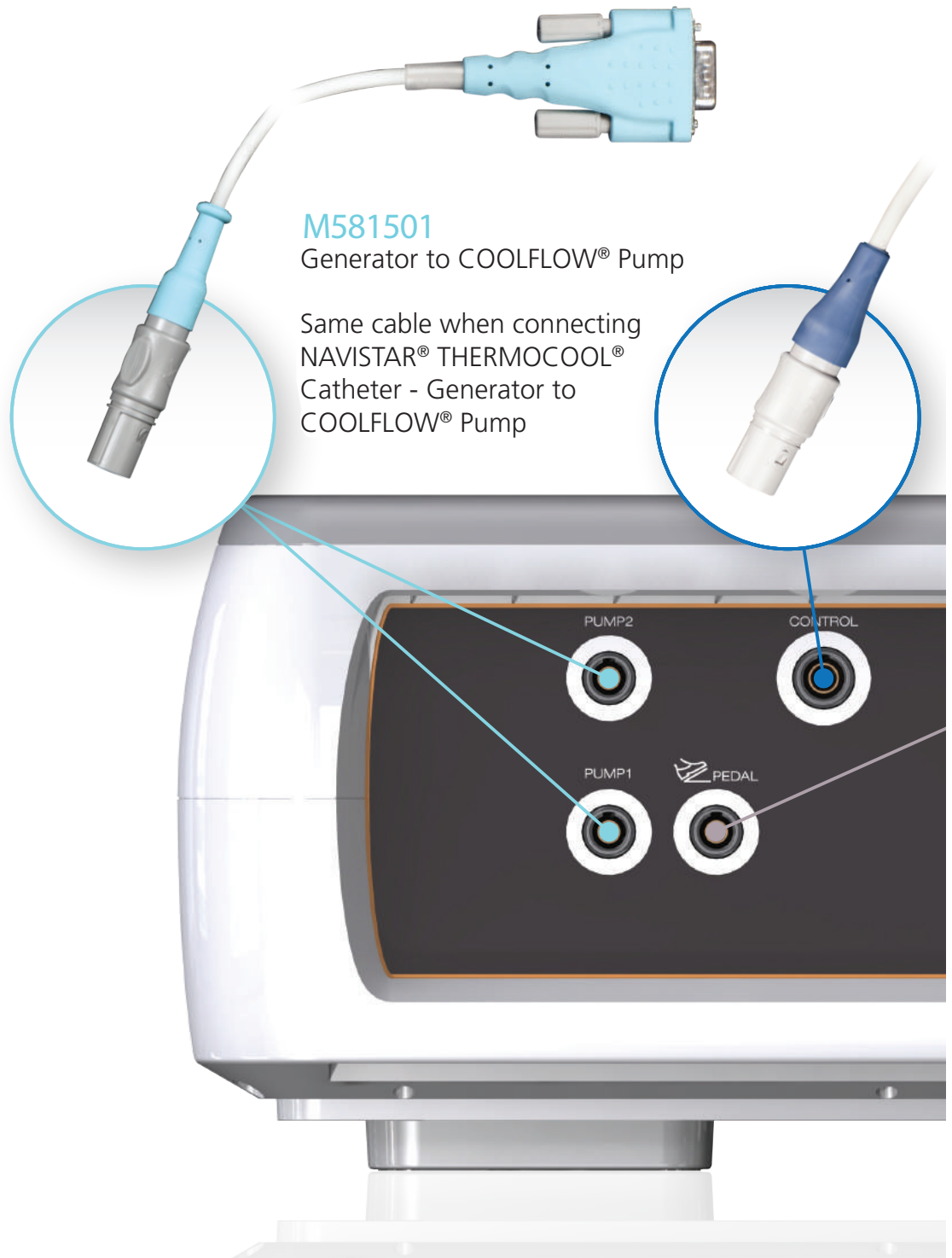


D133701
Generator to nMARQ™
Catheter (Sterile Cable)

M581001
Generator to CARTO® 3 System
(nMARQ™ Catheter - PIU 20A or
20B Port)

M581101
Generator to ECG







M581201 or M581202
Generator to
Touch-Screen Monitor



M581801
Generator Footswitch
Interface/Foot Pedal



CARTO® 3 System Cables

Diagnostic CARTO® 3 System Cables

European Ordering No.	Length	Product Description	Connector	
			at catheter	at PIU
CB3434CT	3 m	Cable for LASSO® 2515 NAV Catheter, HALO®, and ISMUS® Catheter with Auto ID, LASSO® Auto ID	34 pin dark blue	34 pin light blue
CB3412CT	3 m	Cable for WEBSTER® Decapolar Catheter (Fixed and Deflectable) and WEBSTER® CS Bi-Directional Catheter Auto ID	12 pin dark blue	34 pin light blue
CB3410CT	3 m	Cable for WEBSTER® CS Decapolar Catheter	10 pin black	34 pin light blue
CY1212CT	3 m	Cable for WEBSTER® Octapolar with Auto ID, Webster Quadrapolar with Auto ID, Webster CS, Webster HIS and LASSO® Decapolar with Auto ID Catheter	12 pin dark blue	12 pin yellow
CY1210CT	3 m	Cable for WEBSTER® Catheter with up to 10 poles	10 pin black	12 pin yellow

European Ordering No.	Length	Product Description	Connector	
			at catheter	at CARTO® 3 System
D128624	3 m	Cable for 20-pole catheters, non Auto ID	34 pin blue	2 x 10 pin black

Diagnostic CARTO® 3 eco System Cables



European Ordering No.	Length	Product Description
D134401	2.7m	Cable for LASSO® NAV eco Catheter, LASSO® 2515 NAV eco Variable Catheter and the PENTARAY® NAV eco Catheter
EM5050060		34 pin eco Adaptor

UltraSound CARTO® 3 System Cables

European Ordering No.	Length	Product Description	Connector	
			at catheter	at PIU
CG2025CT	3 m	Cable for SOUNDSTAR® Catheter	25 pin black	20 pin green

UltraSound eco CARTO® 3 System Cables



European Ordering No.	Length	Product Description	Connector	
			at catheter	at PIU
EM5050011	6 m	Permanent Cable	25 pin black	20 pin green

Therapeutic CARTO® 3 System Cables

European Ordering No.	Length	Product Description	Connector	
			at catheter	at PIU
CR3425CT	3 m	Cable for existing NAVISTAR® Catheter	25 pin black	34 pin red
CR3434CT	3 m	Cable for THERMOCOOL SMARTTOUCH® Catheter	34 pin red	34 pin red

nMARQ™ System Cables*

European Ordering No.	Product Description
ValleyLab	REM Polyhesive II E7507 (Return Patch)
M581003	Generator to CARTO® 3 System (NAVISTAR® THERMOCOOL® Catheter PIU to Generator Port)
D133701	Generator to nMARQ™ Catheter (Sterile Cable)
M581001	Generator to CARTO 3 System (nMARQ™ Catheter – PIU 20A or 20B Port)
M581101	Generator to ECG
M581501	Generator to COOLFLOW® Pump, Same cable when connecting NAVISTAR® THERMOCOOL® Catheter – Generator to COOLFLOW® Pump
M581201	Generator to Touch-Screen Monitor
M581202	Generator to Touch-Screen Monitor
M581801	Generator Footswitch Interface/Foot Pedal
M589702	Fiber optic duplex cable
M583162	Fiber optic cable from local monitor to remote monitor
M589704	Ethernet cable
M589703	Fast Ethernet media converter
M585801	Monitor identification key for remote monitor

*The component list is for information only, please contact EHQ for further information and availability.

Interface Cable EP Shuttle RF Generator

European Ordering No.	Length	Product Description
D129705	3 m	Cable for existing NAVISTAR® 4 mm, DS and THERMOCOOL® Catheters; and CELSIUS® 4 mm, DS and THERMOCOOL® Catheters

Interface SMARTABLATE™ System Cables

European Ordering No.	Product Description	Sterile
M490019	SMARTABLATE™ Connection Cable Smiths Esophageal Probe (3m)	
M490020	SMARTABLATE™ Cable Philips Esophageal Probe (3m)	
M490034*	SMARTABLATE™ Erbe Indifferent Electrode Cable (3m)	
M490035*	SMARTABLATE™ 3M Indifferent Electrode Cable (3m)	
M490043*	SMARTABLATE™ Erbe Indifferent Electrode Cable (5m)	
M490044*	SMARTABLATE™ System 3M Indifferent Electrode Cable (5m)	
D129704**	CARTO® 3 System Interface Cable / Connecting Generator to the CARTO® System, 10ft (305cm)	
D129707**	CARTO® 3 System Interface Cable / Connecting Generator to the CARTO® 3 System, 4ft (122cm)	
D130302	Ablation Cable from SMARTABLATE™ System to CELSIUS® Catheter or CARTO® XP System PIU (TC/THR)	X
D130303	Ablation Cable from SMARTABLATE™ System to CELSIUS® Catheter or CARTO® XP System PIU (DS)	X

* This product is not regulatory approved and commercially available. Please contact your local BW representative for availability.

** Please order one unit of either D129704 or D129707 per SMARTABLATE™ System that will connect to a CARTO® 3 System.

NON-NAVIGATION DIAGNOSTIC CABLES

European Ordering No.	Length	Product Description	Auto-clavable	Connector	
				at catheter	at generator
39F40R	0.9 m	For 2 and 4 pole catheters	yes	10-Pin	4 Protected Tip Pins
39F55R	1.8 m	For 2 and 4 pole catheters	yes	10-Pin	4 Protected Tip Pins
39F43R	0.9 m	For 2, 4 and 6 pole catheters	yes	10-Pin	6 Protected Tip Pins
39F44R	0.9 m	For 2, 4, 6 and 8 pole catheters	yes	10-Pin	8 Protected Tip Pins
39F41R	0.9 m	For 2, 4, 6, 8 and 10 pole catheters	yes	10-Pin	10 Protected Tip Pins
39F54R	1.8 m	For 2, 4, 6, 8 and 10 pole catheters	yes	10-Pin	10 Protected Tip Pins
39F24R	1.5 m	Extension cable for protected tip pins	yes	2 connectors for protected Tip pins	2 Protected Tip Pins
39F47D	0.9 m	For use with Porterfield Catheter			

NON-NAVIGATION ABLATION CABLES

For the Stockert EP Shuttle (with Biosense Webster Catheter)

European Ordering No.	Length	Product Description	Connector	
			at catheter	at generator
39E43R	3 m	Cable for CELSIUS® Ablation Catheter (TC/THR)	10-Pin	10-Pin
39E68R	3 m	Cable for CELSIUS® DS Ablation Catheter (TC)	10-Pin	10-Pin

For the Stockert EP Shuttle (with foreign catheter)

European Ordering No.	Length	Product Description	Connector	
			at catheter	at generator
39E46R	3 m	Cable for MEDTRONIC™ ¹ Catheter, TC	10-Pin	10-Pin
39E53S	3 m	Cable for EPT Catheter, THR	9-Pin	10-Pin
39E57U	3 m	Cable for Daig Catheter, TC	14-Pin	10-Pin

For connection to a foreign generator with Celsius Catheter

European Ordering No.	Length	Product Description	Connector	
			at catheter	at generator
39E56S	3 m	Cable for Osypka™ ¹ RF Generator HAT 300 smart, THR	10-Pin	9-Pin
39F23R	3 m	Cable for CELSIUS® DS to Osypka™ ¹ HAT 300 smart	10-Pin	9-Pin
39E69R	3 m	Cable for EPT™ ¹ (Box APM), THR	10-Pin	9-Pin
39E23R	1,8 m	Cable for Medtronic™ ¹ Atakr™ ¹ , TC only and Osypka™ ¹ HAT 300 Smart™ ¹	10-Pin	Lemo

¹ The third party trademarks used herein are trademarks of their respective owners.

REVERSE CABLES

European Ordering No.	Product Description	Connector	
		at catheter	at PIU
D128709	Interface cable for use with BW catheters and EP recording system or PIU pinbox	10-Pin	12-Pin
D128622	Interface cable for use with BW catheters and EP recording system or PIU pinbox	34-Pin	20-Pin

NOTES

A series of horizontal dotted lines for writing notes.

NOTES

A series of horizontal dotted lines for writing notes.

Index



PRODUCT NAME INDEX

ACUNAV™ Ultrasound Catheter.....	08255790.....	76
ACUNAV™ Ultrasound Catheter.....	10135910.....	77
ACUNAV™ Ultrasound Catheter.....	10043342.....	76
ACUNAV™ Ultrasound Catheter.....	10135936.....	77
AVAIL® Bipolar Fixed Shape Catheter.....	37P0RR.....	60
AVAIL® Quadrapolar Fixed Shape Catheter.....	37C0CR.....	60
AVAIL® Quadrapolar Fixed Shape Catheter.....	37C3FR.....	60
AVAIL® Quadrapolar Fixed Shape Catheter.....	37C5RR.....	60
AVAIL® Quadrapolar Fixed Shape Catheter.....	37C5CR.....	60
AVAIL® Quadrapolar Fixed Shape Catheter.....	37D0CR.....	60
AVAIL® Quadrapolar Fixed Shape Catheter.....	37D5CR.....	60
AVAIL® Quadrapolar Fixed Shape Catheter.....	37D0RR.....	60
AVAIL® Quadrapolar Fixed Shape Catheter.....	37D3FR.....	60
AVAIL® Quadrapolar Fixed Shape Catheter.....	37D5RR.....	60
CARTO® 3 System.....	FG540000.....	97
CARTO® 3 System.....	FG540000U.....	97
CARTO® 3 System.....	C3RMT.....	97
CARTO® 3 System.....	EM540200.....	97
CARTO® 3 System.....	EM5402020.....	97
CARTO® 3 System.....	MA540013.....	97
CARTO® 3 System.....	CP240724F.....	97
CARTO® 3 System.....	KT5400101.....	97
CARTO® 3 System.....	KT5400102.....	97
CARTO® 3 System Accessories.....	EM540003.....	97
CARTO® 3 System Accessories.....	KT5400103.....	97
CARTO® 3 System Accessories.....	CW417830F.....	97
CARTO® 3 System Accessories.....	CA540006.....	97
CARTO® 3 System Accessories.....	CA540011.....	97
CARTO® 3 System Accessories.....	CA5400161.....	97
CARTO® 3 System Accessories.....	CA5400162.....	97
CARTO® 3 System Accessories.....	CA540019.....	98
CARTO® 3 System Accessories.....	CA540021.....	98
CARTO® 3 System Accessories.....	CA540017.....	98
CARTO® 3 System Accessories.....	EM540015.....	98
CARTO® 3 System Accessories.....	EM540020.....	98
CARTO® 3 System Accessories.....	EM5400201.....	98
CARTO® 3 System Accessories.....	CA540012.....	98
CARTO® 3 System Accessories.....	CA540151.....	98
CARTO® 3 System Accessories.....	KT0001429.....	98
CARTO® 3 System Accessories.....	CA404103.....	98
CARTO® 3 System Accessories.....	CA404104.....	98
CARTO® 3 System Accessories.....	CA400811.....	98
CARTO® 3 System Accessories.....	CA401214.....	98
CARTO® 3 System Accessories.....	KT0001427.....	98
CARTO® 3 System Accessories.....	MA5400501.....	98
CARTO® 3 System Accessories.....	MA5400801.....	98
CARTO® 3 System Accessories.....	CW-3902-30F.....	98
CARTO® 3 System Accessories.....	CW-3903-30F.....	98
CARTO® 3 System Accessories.....	KT0001438.....	98
CARTO® 3 System Accessories.....	KT0001439.....	98
CARTO® 3 System Accessories.....	KT0001440.....	98
CARTO® 3 System Accessories.....	CA5400081.....	98
CARTO® 3 System Accessories.....	CW540720N.....	98
CARTO® 3 System Accessories.....	CW540815N.....	98
CARTO® 3 System Accessories.....	CW540915N.....	98
CARTO® 3 System Accessories.....	CW540806N.....	98
CARTO® 3 System Accessories.....	CW540906N.....	98
CARTO® 3 System Accessories.....	KT540059 CARTO® 3 Constellation exten. CBL Kit.....	98
CARTO® 3 System Cables.....	CB3434CT.....	110
CARTO® 3 System Cables.....	CB3412CT.....	110
CARTO® 3 System Cables.....	CB3410CT.....	110
CARTO® 3 System Cables.....	CY1212CT.....	110
CARTO® 3 System Cables.....	CY1210CT.....	110
CARTO® 3 System Cables.....	D128624.....	110
CARTO® 3 System Cables.....	D134401.....	110
CARTO® 3 System Cables.....	EM5050060.....	110
CARTO® 3 System Cables.....	CG2025CT.....	110
CARTO® 3 System Cables.....	EM5050011.....	110
CARTO® 3 System Cables.....	CR3425CT.....	110
CARTO® 3 System Cables.....	CR3434CT.....	110
CARTO® 3 System Software Module.....	KT5400124.....	99
CARTO® 3 System Software Module.....	KT5400127.....	99
CARTO® 3 System Software Module.....	KT5400128.....	99



PRODUCT NAME INDEX

CARTO® 3 System Software Module	KT5400129	99
CARTO® 3 System Software Module	KT5400134	99
CARTO® 3 System Software Module	KT5400134U	99
CARTO® 3 System Software Module	KT5400130	99
CARTO® 3 System Software Module	C3SOUND	99
CARTO® 3 System Software Module	C3MERGE	99
CARTO® 3 System Software Module	C3CFAE	99
CARTO® 3 System Software Module	C3TOUCH	99
CARTO® 3 System Software Module	C3PASO	99
CARTO® 3 Software System Module	C3REPLAY	99
CARTO® 3 Software System Module	C3CONFD	99
CARTO® 3 Software System Module	C3CNFDRPLY	99
CARTO® 3 Software System Module	C3V4	99
CARTO® 3 System Service Contracts	C3PREMY1	99
CARTO® 3 System Service Contracts	C3PREMUPY1	99
CARTO® 3 System Service Contracts	C3PREMY2	99
CARTO® 3 System Service Contracts	C3PREMUPY2	99
CARTO® 3 System Service Contracts	C3PREMY3	99
CARTO® 3 System Service Contracts	C3PREMUPY3	99
CARTO® 3 System Service Contracts	C3EXTY1	99
CARTO® 3 System Service Contracts	C3EXTY2	99
CARTO® 3 System Service Contracts	C3EXTY3	99
CARTO® 3 System External Reference Patch	CREFP6	101
CELSIUS® 4 mm Braided Tip Catheter	34D37R	39
CELSIUS® 4 mm Braided Tip Catheter	34D47R	39
CELSIUS® 4 mm Braided Tip Catheter	34D57R	39
CELSIUS® 4 mm Catheter Thermistor	36O07R	39
CELSIUS® 4 mm Catheter Thermistor	36O17R	39
CELSIUS® 4 mm Catheter Thermistor	36O27R	39
CELSIUS® 4 mm Catheter Thermistor	36O37R	39
CELSIUS® 4 mm Catheter Thermistor	36O47R	39
CELSIUS® 4 mm Catheter Thermistor	36O57R	39
CELSIUS® 4 mm Catheter Thermocouple	35G07R	38
CELSIUS® 4 mm Catheter Thermocouple	35G17R	38
CELSIUS® 4 mm Catheter Thermocouple	35G37R	38
CELSIUS® 4 mm Catheter Thermocouple	36N07R	38
CELSIUS® 4 mm Catheter Thermocouple	36N17R	38
CELSIUS® 4 mm Catheter Thermocouple	36N27R	38
CELSIUS® 4 mm Catheter Thermocouple	36N37R	38
CELSIUS® 4 mm Catheter Thermocouple	36N47R	38
CELSIUS® 4 mm Catheter Thermocouple	36N57R	38
CELSIUS® DS Catheter	35S17R	41
CELSIUS® DS Catheter	35S37R	41
CELSIUS® DS Catheter	35S57R	41
CELSIUS FLTR™ 8 mm Uni-Directional Catheter	D135501	40
CELSIUS FLTR™ 8 mm Uni-Directional Catheter	D135502	40
CELSIUS FLTR™ 8 mm Bi-Directional Catheter	D135901	40
CELSIUS® RMT Catheter	CR7TCS4RT	41
CELSIUS® RMT THERMOCOOL® Catheter	CR7TCSIRT	38
CELSIUS® THERMOCOOL® Uni-Directional Catheter	35Q13R	37
CELSIUS® THERMOCOOL® Uni-Directional Catheter	35Q33R	37
CELSIUS® THERMOCOOL® Uni-Directional Catheter	35Q53R	37
CELSIUS® THERMOCOOL® Uni-Directional Catheter	35Q73R	37
COHEREX WAVECREST® LAA Implant	WCR1503	72
COHEREX WAVECREST® LAA Implant	WCR1513	72
COHEREX WAVECREST® LAA Implant	WCR1523	72
COHEREX WAVECREST® LAA Implant	WCR1530	72
COHEREX WAVECREST® LAA Implant	WCR1540	72
COHEREX WAVECREST® LAA Implant	WCR1541	72
COHEREX WAVECREST® LAA Implant	WCR1551	72
COOLFLOW® Pump Accessories	39D03X	92
COOLFLOW® Pump Accessories	39D14X	92
COOLFLOW® Pump Accessories	39D60X	92
COOLFLOW® Pump Accessories	39D60X10	90
COOLFLOW® Pump Accessories	CFP003	92
COOLFLOW® Pump Accessories	CFP006	92
COOLFLOW® Pump Set	CFP001	91
COOLFLOW® Pump Tubing	CFT001	91
CRISTACATH® Catheter	36Y39R	62
DECANAV™ Catheter	R7D282CT	47
DECANAV™ Catheter	R7F282CT	47
EZ STEER® 4 mm Bi-Directional Catheter	35I35R	36
EZ STEER® 4 mm Bi-Directional Catheter	35I5JR	36

PRODUCT NAME INDEX

EZ STEER® 4 mm Bi-Directional Catheter	35I33R.....	36
EZ STEER® 4 mm Bi-Directional Catheter	35I55R.....	36
EZ STEER® DS Bi-Directional Catheter	35U35R.....	37
EZ STEER® DS Bi-Directional Catheter	35U5JR.....	37
EZ STEER® DS Bi-Directional Catheter	35U33R.....	37
EZ STEER® DS Bi-Directional Catheter	35U55R.....	37
EZ STEER® DS Bi-Directional Catheter	35UJ3R.....	37
EZ STEER® THERMOCOOL® Catheter	36Q33M.....	36
EZ STEER® THERMOCOOL® Catheter	36Q35M.....	36
EZ STEER® THERMOCOOL® Catheter	36Q55M.....	36
EZ STEER® THERMOCOOL® Catheter	36Q5JM.....	36
HALO® XP Catheter	36J13RCT.....	52
HALO® XP Tricuspid Mapping Catheter	36J13R.....	59
HALO® XP Tricuspid Mapping Catheter	36J16R.....	59
HALO® XP Tricuspid Mapping Catheter	36J14R.....	59
HEARTSPAN™ Transseptal Needles.....	FND01900.....	68
HEARTSPAN™ Transseptal Needles.....	FND01901.....	68
HEARTSPAN™ Transseptal Needles.....	FND01902.....	68
HEARTSPAN™ Transseptal Needles.....	FND01903.....	68
ISMUS® Catheter	36Y32RCT.....	52
ISMUS® Catheter	36Y32R.....	59
Indifferent Electrodes and Corresponding Connection Cables.....	39D12X5.....	88
Indifferent Electrodes and Corresponding Connection Cables.....	39D15X.....	88
Indifferent Electrodes and Corresponding Connection Cables.....	39D19X.....	88
Indifferent Electrodes and Corresponding Connection Cables.....	39D16X.....	88
Indifferent Electrodes and Corresponding Connection Cables.....	39D16X5.....	88
Indifferent Electrodes and Corresponding Connection Cables.....	39D82X.....	88
Indifferent Electrodes and Corresponding Connection Cables.....	39F27R.....	88
Interface Cable EP Shuttle RF Generator.....	D129705.....	112
Interface SMARTABLATE™ System Cables.....	M490034.....	112
Interface SMARTABLATE™ System Cables.....	M490035.....	112
Interface SMARTABLATE™ System Cables.....	M490043.....	112
Interface SMARTABLATE™ System Cables.....	M490044.....	112
Interface SMARTABLATE™ System Cables.....	D129704.....	112
Interface SMARTABLATE™ System Cables.....	D129707.....	112
Interface SMARTABLATE™ System Cables.....	D130302.....	112
Interface SMARTABLATE™ System Cables.....	D130303.....	112
Interface SMARTABLATE™ System Cables.....	M490019.....	112
Interface SMARTABLATE™ System Cables.....	M490020.....	112
LASSO® 2515 NAV eco Variable Catheter.....	D134302.....	45
LASSO® 2515 NAV eco Variable Catheter.....	D134301.....	45
LASSO® 2515 NAV Variable Catheter	35P2515R.....	46
LASSO® 2515 NAV Variable Catheter	35U2515R.....	46
LASSO® 2515 Variable Mapping Catheter	35O2515R.....	53
LASSO® 2515 Variable Mapping Catheter	35T2515R.....	53
LASSO® Decapolar Catheter.....	35O26RCT.....	48
LASSO® Decapolar Catheter.....	35O36RCT.....	48
LASSO® Duo-Decapolar Catheter	D7L2015CT.....	48
LASSO® Duo-Decapolar Catheter	D7L2020CT.....	48
LASSO® Mapping Catheter	35O16R.....	53
LASSO® Mapping Catheter	35O26R.....	53
LASSO® Mapping Catheter	35O36R.....	53
LASSO® Mapping Catheter	35O46R.....	53
LASSO® Mapping Catheter	35O66R.....	53
LASSO® Mapping Catheter	35T26R.....	53
LASSO® Mapping Catheter	35T36R.....	53
LASSO® NAV eco Catheter	D134901.....	45
LASSO® NAV eco Catheter	D134903.....	45
LASSO® NAV eco Catheter	D134905.....	45
LASSO® NAV eco Catheter	D134902.....	45
LASSO® NAV eco Catheter	D134904.....	45
LASSO® NAV eco Catheter	D134906.....	45
LASSO® NAV Catheter	DLN1215CT.....	46
LASSO® NAV Catheter	DLN1220CT.....	46
LASSO® NAV Catheter	DLN1225CT.....	46
LASSO® NAV Catheter	DLN2215CT.....	46
LASSO® NAV Catheter	DLN2220CT.....	46
LASSO® NAV Catheter	DLN2225CT.....	46
MOBICATH® Sheath	D140010.....	66
MOBICATH® Sheath	D140011.....	66
nMARQ™ Catheter	D132214.....	25
nMARQ™ System Generator components and spare parts.....	M591102.....	82
nMARQ™ System Generator components and spare parts.....	M591106.....	82



PRODUCT NAME INDEX

nMARQ™ System Generator components and spare parts.....	M591107.....	82
nMARQ™ System Service Contracts.....	nMQPLAY1.....	83
nMARQ™ System Service Contracts.....	nMQPMY1.....	83
nMARQ™ System Service Contracts.....	nMQEXTY1.....	83
nMARQ™ System Service Contracts.....	nMQPLAY2.....	83
nMARQ™ System Service Contracts.....	nMQPMY2.....	83
nMARQ™ System Service Contracts.....	nMQEXTY2.....	83
nMARQ™ System Service Contracts.....	nMQPLAY3.....	83
nMARQ™ System Service Contracts.....	nMQPMY3.....	83
nMARQ™ System Service Contracts.....	nMQEXTY3.....	83
nMARQ™ System Service Contracts.....	nMQPLAUPG.....	83
nMARQ™ System Spare Parts.....	M581001.....	82
nMARQ™ System Spare Parts.....	M581003.....	82
nMARQ™ System Spare Parts.....	M581101.....	82
nMARQ™ System Spare Parts.....	M581202.....	82
nMARQ™ System Spare Parts.....	M581501.....	82
nMARQ™ System Spare Parts.....	M581801.....	82
nMARQ™ System Spare Parts.....	M582002.....	82
nMARQ™ System Spare Parts.....	M582005.....	82
nMARQ™ System Spare Parts.....	M583163.....	82
nMARQ™ System Spare Parts.....	M583164.....	82
nMARQ™ System Spare Parts.....	M583165.....	82
nMARQ™ System Spare Parts.....	M583166.....	82
nMARQ™ System Spare Parts.....	M583107.....	82
nMARQ™ System Spare Parts.....	M583119.....	82
nMARQ™ System Spare Parts.....	M583120.....	82
nMARQ™ System Spare Parts.....	M583121.....	82
nMARQ™ System Spare Parts.....	M583122.....	82
nMARQ™ System Spare Parts.....	M583176.....	82
nMARQ™ System Spare Parts.....	M583174.....	82
nMARQ™ System Spare Parts.....	M583169.....	82
nMARQ™ System Spare Parts.....	M585801.....	82
nMARQ™ System Spare Parts.....	M589703.....	82
nMARQ™ System Monitor.....	D134107.....	81
nMARQ™ System.....	D136301.....	81
nMARQ™ System.....	M583161.....	81
nMARQ™ System.....	M593401.....	81
nMARQ™ System Cables.....	ValleyLab.....	111
nMARQ™ System Cables.....	M581003.....	111
nMARQ™ System Cables.....	D133701.....	111
nMARQ™ System Cables.....	M581001.....	111
nMARQ™ System Cables.....	M581101.....	111
nMARQ™ System Cables.....	M581501.....	111
nMARQ™ System Cables.....	M581201.....	111
nMARQ™ System Cables.....	M581202.....	111
nMARQ™ System Cables.....	M581801.....	111
nMARQ™ System Cables.....	M589702.....	111
nMARQ™ System Cables.....	M583162.....	111
nMARQ™ System Cables.....	M589704.....	111
nMARQ™ System Cables.....	M589703.....	111
nMARQ™ System Cables.....	M585801.....	111
NAVISTAR® 4 mm Catheter.....	34A15M.....	31
NAVISTAR® 4 mm Catheter.....	34A25M.....	31
NAVISTAR® 4 mm Catheter.....	34A35M.....	31
NAVISTAR® 4 mm Catheter.....	34A45M.....	31
NAVISTAR® 4 mm Catheter.....	34A55M.....	31
NAVISTAR® 4 mm Catheter.....	34AJ5M.....	31
NAVISTAR® DS Catheter.....	34J27M.....	31
NAVISTAR® DS Catheter.....	34J37M.....	31
NAVISTAR® DS Catheter.....	34J57M.....	31
NAVISTAR® DS Catheter.....	34JJ7M.....	31
NAVISTAR® RMT 4 mm Catheter.....	NR7TCS4Y.....	32
NAVISTAR® RMT THERMOCOOL® Catheter.....	NR7TCSIY.....	32
NAVISTAR® THERMOCOOL® Bi-Directional Catheter.....	36H33M.....	30
NAVISTAR® THERMOCOOL® Bi-Directional Catheter.....	36H35M.....	30
NAVISTAR® THERMOCOOL® Bi-Directional Catheter.....	36H55M.....	30
NAVISTAR® THERMOCOOL® Bi-Directional Catheter.....	36H5JM.....	30
NAVISTAR® THERMOCOOL® Bi-Directional Catheter.....	36HJJM.....	30
NAVISTAR® THERMOCOOL® Uni-Directional Catheter.....	34H17M.....	30
NAVISTAR® THERMOCOOL® Uni-Directional Catheter.....	34H27M.....	30
NAVISTAR® THERMOCOOL® Uni-Directional Catheter.....	34H37M.....	30
NAVISTAR® THERMOCOOL® Uni-Directional Catheter.....	34H57M.....	30
NAVISTAR® THERMOCOOL® Uni-Directional Catheter.....	34HJ7M.....	30

PRODUCT NAME INDEX

Non-Navigation ABLATION CABLES.....	39E43R.....	113
Non-Navigation ABLATION CABLES.....	39E68R.....	113
Non-Navigation ABLATION CABLES.....	39E46R.....	113
Non-Navigation ABLATION CABLES.....	39E53S.....	113
Non-Navigation ABLATION CABLES.....	39E57U.....	113
Non-Navigation ABLATION CABLES.....	39E56S.....	113
Non-Navigation ABLATION CABLES.....	39F23R.....	113
Non-Navigation ABLATION CABLES.....	39E69R.....	113
Non-Navigation ABLATION CABLES.....	39E23R.....	113
Non-Navigation DIAGNOSTIC CABLES.....	39F40R.....	113
Non-Navigation DIAGNOSTIC CABLES.....	39F55R.....	113
Non-Navigation DIAGNOSTIC CABLES.....	39F43R.....	113
Non-Navigation DIAGNOSTIC CABLES.....	39F44R.....	113
Non-Navigation DIAGNOSTIC CABLES.....	39F41R.....	113
Non-Navigation DIAGNOSTIC CABLES.....	39F54R.....	113
Non-Navigation DIAGNOSTIC CABLES.....	39F24R.....	113
Non-Navigation DIAGNOSTIC CABLES.....	39F47D.....	113
PARAHISIAN® Catheter.....	36L00Q.....	61
Pediatric Catheter.....	36S30Q.....	61
PENTARAY® NAV eco Catheter.....	D128207.....	47
PENTARAY® NAV eco Catheter.....	D128208.....	47
PENTARAY® NAV eco Catheter.....	D128210.....	47
PENTARAY® NAV eco Catheter.....	D128211.....	47
Pervenous Lead introducer Set.....	PLIS008.....	67
Pervenous Lead introducer Set.....	PLIS009.....	67
Pervenous Lead introducer Set.....	PLIS010.....	67
Pervenous Lead introducer Set.....	PLIS011.....	67
PREFACE® Guiding Sheaths.....	301803A.....	65
PREFACE® Guiding Sheaths.....	301803P.....	65
PREFACE® Guiding Sheaths for EP.....	301803MS.....	65
PREFACE® Guiding Sheaths for EP.....	301803M.....	65
PREFACE® Guiding Sheaths for EP.....	301805M.....	65
QSTIM® Catheter Temporary Pervenous Pacing Leads.....	PL5M010P.....	67
QSTIM® Catheter Temporary Pervenous Pacing Leads.....	PL5J010P.....	67
QSTIM® Catheter Temporary Pervenous Pacing Leads.....	PL6M010P.....	67
QSTIM® Catheter Temporary Pervenous Pacing Leads.....	LP37688.....	67
REVERSE CABLES.....	D128709.....	114
REVERSE CABLES.....	D128622.....	114
Service Contracts.....	SHUTBC1.....	90
Service Contracts.....	SHUTPV1.....	90
Service Contracts.....	SHUTPVP1.....	90
Service Contracts.....	CFPPV1.....	92
Service Contracts.....	CFPPVP1.....	92
SMARTABLATE™ System.....	M4900106.....	85
SMARTABLATE™ System.....	SAT001.....	85
SMARTABLATE™ System.....	M490005.....	85
SMARTABLATE™ System.....	M490012.....	85
SMARTABLATE™ System.....	M490010.....	85
SMARTABLATE™ System.....	M490029.....	85
SMARTABLATE™ System.....	M490013.....	85
SMARTABLATE™ System.....	M490026.....	85
SMARTABLATE™ System.....	M490027.....	85
SMARTABLATE™ System.....	M490016.....	85
SMARTABLATE™ System.....	M490028.....	85
SMARTABLATE™ System.....	M490030.....	85
SMARTABLATE™ System.....	M490031.....	85
SMARTABLATE™ System.....	M490021.....	85
SMARTABLATE™ System.....	M490023.....	85
SMARTABLATE™ System.....	M490025.....	85
SMARTABLATE™ System.....	M490014.....	85
SMARTABLATE™ System.....	M490017.....	85
SMARTABLATE™ System.....	M490018.....	85
SMARTABLATE™ System.....	M490037.....	85
SMARTABLATE™ System.....	39F45X.....	85
SMARTABLATE™ System.....	M4900602.....	85
SMARTABLATE™ System.....	M4900603.....	85
SMARTABLATE™ System.....	M4900605.....	85
SMARTABLATE™ System.....	M4900606.....	85
SMARTABLATE™ System.....	MA5402100.....	85
SMARTABLATE™ System.....	M490034.....	85
SMARTABLATE™ System.....	M490035.....	85
SMARTABLATE™ System.....	M490043.....	85
SMARTABLATE™ System.....	M490044.....	85



PRODUCT NAME INDEX

SOUNDSTAR® 3D eco Catheter	10438577	75
SOUNDSTAR® 3D eco Catheter	10439072	75
SOUNDSTAR® 3D Ultrasound Catheter	SNDSTR10	76
SOUNDSTAR® 3D Ultrasound Catheter	SNDSTR10G	76
SOUNDSTAR® eco 8F Catheter	10439011	75
SOUNDSTAR® eco 8F Catheter	10439236	75
Spare Parts and Others	39D03X	89
Spare Parts and Others	39D05X	89
Spare Parts and Others	39D06X	89
Spare Parts and Others	39D14X	89
Spare Parts and Others	39D21X	89
Spare Parts and Others	39D83X	89
Spare Parts and Others	39D90X	89
Spare Parts and Others	39D91X	89
Spare Parts and Others	39D72X	89
Spare Parts and Others	39D12X	89
Spare Parts and Others	39E43R	89
Spare Parts and Others	39D82X	89
Stockert EP Shuttle Accessories	39F28X10	90
Stockert EP Shuttle Accessories	39F28X15	90
Stockert EP Shuttle Accessories	39F28X20	90
Stockert EP Shuttle Accessories	39F28X30	90
Stockert EP Shuttle Accessories	39D60X	90
Stockert EP Shuttle RF Generators	39D72X	88
Stockert EP Shuttle RF Generators	39D75X	88
Stockert EP Shuttle RF Generators	39D76X	88
Stockert EP Shuttle RF Generators	39D79X	88
THERMOCOOL® SF NAV Bi-Directional Catheter	BNI35BBH	28
THERMOCOOL® SF NAV Bi-Directional Catheter	BNI35BDH	28
THERMOCOOL® SF NAV Bi-Directional Catheter	BNI35BFH	28
THERMOCOOL® SF NAV Bi-Directional Catheter	BNI35DDH	28
THERMOCOOL® SF NAV Bi-Directional Catheter	BNI35DFH	28
THERMOCOOL® SF NAV Bi-Directional Catheter	BNI35DJH	28
THERMOCOOL® SF NAV Bi-Directional Catheter	BNI35FFH	28
THERMOCOOL® SF NAV Bi-Directional Catheter	BNI35FJH	28
THERMOCOOL® SF NAV Bi-Directional Catheter	BNI35JJH	28
THERMOCOOL® SF NAV Uni-Directional Catheter	D131801	27
THERMOCOOL® SF NAV Uni-Directional Catheter	D131802	27
THERMOCOOL® SF NAV Uni-Directional Catheter	D131803	27
THERMOCOOL® SF NAV Uni-Directional Catheter	D131804	27
THERMOCOOL® SF NAV Bi-Directional Catheter with curve visualization	BNI35BDCT	29
THERMOCOOL® SF NAV Bi-Directional Catheter with curve visualization	BNI35BFCT	29
THERMOCOOL® SF NAV Bi-Directional Catheter with curve visualization	BNI35FJCT	29
THERMOCOOL® SF NAV Uni-Directional Catheter with curve visualization	D131501	29
THERMOCOOL® SF NAV Uni-Directional Catheter with curve visualization	D131502	29
THERMOCOOL® SF NAV Uni-Directional Catheter with curve visualization	D131503	29
THERMOCOOL® SF NAV Uni-Directional Catheter with curve visualization	D131504	29
THERMOCOOL® SF Bi-Directional Catheter	BDI35BBRT	35
THERMOCOOL® SF Bi-Directional Catheter	BDI35BDRT	35
THERMOCOOL® SF Bi-Directional Catheter	BDI35BFRT	35
THERMOCOOL® SF Bi-Directional Catheter	BDI35DDRT	35
THERMOCOOL® SF Bi-Directional Catheter	BDI35DFRT	35
THERMOCOOL® SF Bi-Directional Catheter	BDI35DJRT	35
THERMOCOOL® SF Bi-Directional Catheter	BDI35FFRT	35
THERMOCOOL® SF Bi-Directional Catheter	BDI35FJRT	35
THERMOCOOL® SF Bi-Directional Catheter	BDI35JJRT	35
THERMOCOOL® SF Uni-Directional Catheter	D131601	35
THERMOCOOL® SF Uni-Directional Catheter	D131602	35
THERMOCOOL® SF Uni-Directional Catheter	D131603	35
THERMOCOOL® SF Uni-Directional Catheter	D131604	35
THERMOCOOL SMARTTOUCH® SF Bi-Directional Catheter	D134801	26
THERMOCOOL SMARTTOUCH® SF Bi-Directional Catheter	D134802	26
THERMOCOOL SMARTTOUCH® SF Bi-Directional Catheter	D134803	26
THERMOCOOL SMARTTOUCH® SF Bi-Directional Catheter	D134804	26
THERMOCOOL SMARTTOUCH® SF Bi-Directional Catheter	D134805	26
THERMOCOOL SMARTTOUCH® SF Uni-Directional Catheter	D134701	26
THERMOCOOL SMARTTOUCH® SF Uni-Directional Catheter	D134702	26
THERMOCOOL SMARTTOUCH® SF Uni-Directional Catheter	D134703	26
THERMOCOOL SMARTTOUCH® Bi-Directional Catheter	D132701	27
THERMOCOOL SMARTTOUCH® Bi-Directional Catheter	D132702	27
THERMOCOOL SMARTTOUCH® Bi-Directional Catheter	D132703	27
THERMOCOOL SMARTTOUCH® Bi-Directional Catheter	D132704	27
THERMOCOOL SMARTTOUCH® Bi-Directional Catheter	D132705	27

PRODUCT NAME INDEX

THERMOCOOL SMARTTOUCH® Uni-Directional Catheter	D133601	26
THERMOCOOL SMARTTOUCH® Uni-Directional Catheter	D133602	26
THERMOCOOL SMARTTOUCH® Uni-Directional Catheter	D133603	26
WEBSTER® CS Bi-Directional Catheter	36G35QCT	49
WEBSTER® CS Bi-Directional Catheter	36G5JMCT	49
WEBSTER® CS Bi-Directional Catheter	36D35R	54
WEBSTER® CS Bi-Directional Catheter	36D5JR	54
WEBSTER® CS Uni-Directional Catheter	D135303	49
WEBSTER® CS Uni-Directional Catheter	D135304	49
WEBSTER® Decapolar Catheter Deflectable	35X33QCT	50
WEBSTER® Decapolar Catheter Deflectable	36G33QCT	50
WEBSTER® Decapolar Catheter Deflectable	35X38Q	56
WEBSTER® Decapolar Catheter Deflectable	35X33Q	56
WEBSTER® Decapolar Catheter Deflectable	35X58Q	56
WEBSTER® Decapolar Catheter Deflectable	36G33Q	56
WEBSTER® Decapolar Catheter Fixed	37S94RCT	51
WEBSTER® Decapolar Catheter Fixed	37S94R	57
WEBSTER® Decapolar Catheter Fixed	37S95R	57
WEBSTER® Decapolar Catheter Fixed	37G58R	57
WEBSTER® Decapolar Catheter Fixed	37G68R	57
WEBSTER® Duo-Decapolar Catheter	D728260RT	59
WEBSTER® Hexapolar Catheter Deflectable	36E30Q	55
WEBSTER® Hexapolar Catheter Fixed	37U00R	57
WEBSTER® HIS Catheter	D1085413	51
WEBSTER® Octopolar Catheter Deflectable	35Y13Q	54
WEBSTER® Octopolar Catheter Deflectable	36S31Q	54
WEBSTER® Octopolar Catheter Deflectable	36F30Q	54
WEBSTER® Quadrapolar Catheter Deflectable	36B38RCT	50
WEBSTER® Quadrapolar Catheter Deflectable	36B33RCT	50
WEBSTER® Quadrapolar Catheter Deflectable	36C38RCT	50
WEBSTER® Quadrapolar Catheter Deflectable	36B38R	55
WEBSTER® Quadrapolar Catheter Deflectable	36B33R	55
WEBSTER® Quadrapolar Catheter Deflectable	36B35R	55
WEBSTER® Quadrapolar Catheter Deflectable	36C38R	55
WEBSTER® Quadrapolar Catheter Deflectable	36C33R	55
WEBSTER® Quadrapolar Catheter Fixed	37C53RCT	51
WEBSTER® Quadrapolar Catheter Fixed	37C03RCT	51
WEBSTER® Quadrapolar Catheter Fixed	F6QF005CT	51
WEBSTER® Quadrapolar Catheter Fixed	F6QA005CT	51
WEBSTER® Quadrapolar Catheter Fixed	37C08R	58
WEBSTER® Quadrapolar Catheter Fixed	37C03R	58
WEBSTER® Quadrapolar Catheter Fixed	37C53R	58
WEBSTER® Quadrapolar Catheter Fixed	37T03R	58
WEBSTER® Quadrapolar Catheter Fixed	37D00R	58
WEBSTER® Quadrapolar Catheter Fixed	37D08R	58
WEBSTER® Quadrapolar Catheter Fixed	37D03R	58
WEBSTER® Quadrapolar Catheter Fixed	37D05R	58
WEBSTER® Quadrapolar Catheter Fixed	37D38R	58
WEBSTER® Quadrapolar Catheter Fixed	37D33R	58
WEBSTER® Quadrapolar Catheter Fixed	37D35R	58
WEBSTER® Quadrapolar Catheter Fixed	37D53R	58
WEBSTER® Quadrapolar Catheter Fixed	37D55R	58
WEBSTER® Quadrapolar Catheter Fixed	37D58R	58



08255790.....	ACUNAV™ Ultrasound Catheter	78
10043342.....	ACUNAV™ Ultrasound Catheter	78
10135910.....	ACUNAV™ Ultrasound Catheter	78
10135936.....	ACUNAV™ Ultrasound Catheter	78
10438577.....	SOUNDSTAR® 3D eco Catheter	78
10439011.....	SOUNDSTAR® eco 8F Catheter	78
10439072.....	SOUNDSTAR® 3D eco Catheter	78
10439236.....	SOUNDSTAR® eco 8F Catheter	78
301803A.....	PREFACE® Guiding Sheaths.....	65
301803M.....	PREFACE® Guiding Sheaths for EP.....	65
301803MS.....	PREFACE® Guiding Sheaths for EP.....	65
301803P.....	PREFACE® Guiding Sheaths.....	65
301805M.....	PREFACE® Guiding Sheaths for EP.....	65
34A15M.....	NAVISTAR® 4 mm Catheter.....	31
34A25M.....	NAVISTAR® 4 mm Catheter.....	31
34A35M.....	NAVISTAR® 4 mm Catheter.....	31
34A45M.....	NAVISTAR® 4 mm Catheter.....	31
34A55M.....	NAVISTAR® 4 mm Catheter.....	31
34AJ5M.....	NAVISTAR® 4 mm Catheter.....	31
34D37R.....	CELSIUS® 4 mm Braided Tip Catheter	39
34D47R.....	CELSIUS® 4 mm Braided Tip Catheter	39
34D57R.....	CELSIUS® 4 mm Braided Tip Catheter	39
34H17M.....	NAVISTAR® THERMOCOOL® Uni-Directional Catheter	30
34H27M.....	NAVISTAR® THERMOCOOL® Uni-Directional Catheter	30
34H37M.....	NAVISTAR® THERMOCOOL® Uni-Directional Catheter	30
34H57M.....	NAVISTAR® THERMOCOOL® Uni-Directional Catheter	30
34HJ7M.....	NAVISTAR® THERMOCOOL® Uni-Directional Catheter	30
34J27M.....	NAVISTAR® DS Catheter.....	31
34J37M.....	NAVISTAR® DS Catheter.....	31
34J57M.....	NAVISTAR® DS Catheter.....	31
34JJ7M.....	NAVISTAR® DS Catheter.....	31
35G07R.....	CELSIUS® 4 mm Catheter Thermocouple.....	38
35G17R.....	CELSIUS® 4 mm Catheter Thermocouple.....	38
35G37R.....	CELSIUS® 4 mm Catheter Thermocouple.....	38
35I33R.....	EZ STEER® 4 mm Bi-Directional Catheter	36
35I35R.....	EZ STEER® 4 mm Bi-Directional Catheter	36
35I55R.....	EZ STEER® 4 mm Bi-Directional Catheter	36
35I5JR.....	EZ STEER® 4 mm Bi-Directional Catheter	36
35O2515R.....	LASSO® 2515 Variable Mapping Catheter.....	53
35O16R.....	LASSO® Mapping Catheter.....	53
35O26R.....	LASSO® Mapping Catheter.....	53
35O26RCT.....	LASSO® Decapolar Catheter.....	48
35O36R.....	LASSO® Mapping Catheter.....	53
35O36RCT.....	LASSO® Decapolar Catheter.....	48
35O46R.....	LASSO® Mapping Catheter.....	53
35O66R.....	LASSO® Mapping Catheter.....	53
35P2515R.....	LASSO® 2515 NAV Variable Catheter.....	46
35Q13R.....	CELSIUS® THERMOCOOL® Uni-Directional Catheter	37
35Q33R.....	CELSIUS® THERMOCOOL® Uni-Directional Catheter	37
35Q53R.....	CELSIUS® THERMOCOOL® Uni-Directional Catheter	37
35Q73R.....	CELSIUS® THERMOCOOL® Uni-Directional Catheter	37
35S17R.....	CELSIUS® DS Catheter	41
35S37R.....	CELSIUS® DS Catheter	41
35S57R.....	CELSIUS® DS Catheter	41
35T2515R.....	LASSO® 2515 Variable Mapping Catheter.....	53
35T26R.....	LASSO® Mapping Catheter.....	53
35T36R.....	LASSO® Mapping Catheter.....	53
35U2515R.....	LASSO® 2515 NAV Variable Catheter.....	46
35U33R.....	EZ STEER® DS Bi-Directional Catheter.....	37
35U35R.....	EZ STEER® DS Bi-Directional Catheter.....	37
35U55R.....	EZ STEER® DS Bi-Directional Catheter.....	37
35U5JR.....	EZ STEER® DS Bi-Directional Catheter.....	37
35UJJR.....	EZ STEER® DS Bi-Directional Catheter.....	37
35X33Q.....	WEBSTER® Decapolar Catheter Deflectable.....	56
35X33QCT.....	WEBSTER® Decapolar Catheter Deflectable.....	50
35X38Q.....	WEBSTER® Decapolar Catheter Deflectable.....	56
35X58Q.....	WEBSTER® Decapolar Catheter Deflectable.....	56
35Y13Q.....	WEBSTER® Octopolar Catheter Deflectable.....	54
36B33R.....	WEBSTER® Quadrapolar Catheter Deflectable.....	55
36B33RCT.....	WEBSTER® Quadrapolar Catheter Deflectable.....	50
36B35R.....	WEBSTER® Quadrapolar Catheter Deflectable.....	55
36B38R.....	WEBSTER® Quadrapolar Catheter Deflectable.....	55
36B38RCT.....	WEBSTER® Quadrapolar Catheter Deflectable.....	50



CODE INDEX

36C33R	WEBSTER® Quadrapolar Catheter Deflectable	55
36C38R	WEBSTER® Quadrapolar Catheter Deflectable	55
36C38RCT	WEBSTER® Quadrapolar Catheter Deflectable	50
36D35R	WEBSTER® CS Bi-Directional Catheter	54
36D5JR	WEBSTER® CS Bi-Directional Catheter	54
36E30Q	WEBSTER® Hexapolar Catheter Deflectable	55
36F30Q	WEBSTER® Octopolar Catheter Deflectable	54
36G33Q	WEBSTER® Decapolar Catheter Deflectable	56
36G33QCT	WEBSTER® Decapolar Catheter Deflectable	50
36G35QCT	WEBSTER® CS Bi-Directional Catheter	49
36G5JMCT	WEBSTER® CS Bi-Directional Catheter	49
36H33M	NAVISTAR® THERMOCOOL® Bi-Directional Catheter	30
36H35M	NAVISTAR® THERMOCOOL® Bi-Directional Catheter	30
36H55M	NAVISTAR® THERMOCOOL® Bi-Directional Catheter	30
36H5JM	NAVISTAR® THERMOCOOL® Bi-Directional Catheter	30
36HIJM	NAVISTAR® THERMOCOOL® Bi-Directional Catheter	30
36J13R	HALO® XP Tricuspid Mapping Catheter	59
36J13RCT	HALO® XP Catheter	52
36J14R	HALO® XP Tricuspid Mapping Catheter	59
36J16R	HALO® XP Tricuspid Mapping Catheter	59
36L00Q	PARAHISIAN® Catheter	61
36N07R	CELSIUS® 4 mm Catheter Thermocouple	38
36N17R	CELSIUS® 4 mm Catheter Thermocouple	38
36N27R	CELSIUS® 4 mm Catheter Thermocouple	38
36N37R	CELSIUS® 4 mm Catheter Thermocouple	38
36N47R	CELSIUS® 4 mm Catheter Thermocouple	38
36N57R	CELSIUS® 4 mm Catheter Thermocouple	38
36O07R	CELSIUS® 4 mm Catheter Thermistor	39
36O17R	CELSIUS® 4 mm Catheter Thermistor	39
36O27R	CELSIUS® 4 mm Catheter Thermistor	39
36O37R	CELSIUS® 4 mm Catheter Thermistor	39
36O47R	CELSIUS® 4 mm Catheter Thermistor	39
36O57R	CELSIUS® 4 mm Catheter Thermistor	39
36Q33M	EZ STEER® THERMOCOOL® Catheter	36
36Q35M	EZ STEER® THERMOCOOL® Catheter	36
36Q55M	EZ STEER® THERMOCOOL® Catheter	36
36Q5JM	EZ STEER® THERMOCOOL® Catheter	36
36S30Q	Pediatric Catheter	61
36S31Q	WEBSTER® Octopolar Catheter Deflectable	54
36Y32R	ISMUS® Catheter	59
36Y32RCT	ISMUS® Catheter	52
36Y39R	CRISTACATH® Catheter	61
37C0CR	AVAIL® Quadrapolar Fixed Shape Catheter	60
37C3FR	AVAIL® Quadrapolar Fixed Shape Catheter	60
37C5CR	AVAIL® Quadrapolar Fixed Shape Catheter	60
37C5RR	AVAIL® Quadrapolar Fixed Shape Catheter	60
37C03R	WEBSTER® Quadrapolar Catheter Fixed	58
37C03RCT	WEBSTER® Quadrapolar Catheter Fixed	51
37C08R	WEBSTER® Quadrapolar Catheter Fixed	58
37C53R	WEBSTER® Quadrapolar Catheter Fixed	58
37C53RCT	WEBSTER® Quadrapolar Catheter Fixed	51
37D00R	WEBSTER® Quadrapolar Catheter Fixed	58
37D03R	WEBSTER® Quadrapolar Catheter Fixed	58
37D05R	WEBSTER® Quadrapolar Catheter Fixed	58
37D08R	WEBSTER® Quadrapolar Catheter Fixed	58
37D33R	WEBSTER® Quadrapolar Catheter Fixed	58
37D35R	WEBSTER® Quadrapolar Catheter Fixed	58
37D38R	WEBSTER® Quadrapolar Catheter Fixed	58
37D53R	WEBSTER® Quadrapolar Catheter Fixed	58
37D55R	WEBSTER® Quadrapolar Catheter Fixed	58
37D58R	WEBSTER® Quadrapolar Catheter Fixed	58
37D0CR	AVAIL® Quadrapolar Fixed Shape Catheter	60
37D3FR	AVAIL® Quadrapolar Fixed Shape Catheter	60
37D5CR	AVAIL® Quadrapolar Fixed Shape Catheter	60
37D0RR	AVAIL® Quadrapolar Fixed Shape Catheter	60
37D5RR	AVAIL® Quadrapolar Fixed Shape Catheter	60
37G58R	WEBSTER® Decapolar Catheter Fixed	57
37G68R	WEBSTER® Decapolar Catheter Fixed	57
37P0RR	AVAIL® Bipolar Fixed Shape Catheter	60
37S94R	WEBSTER® Decapolar Catheter Fixed	57
37S94RCT	WEBSTER® Decapolar Catheter Fixed	51
37S95R	WEBSTER® Decapolar Catheter Fixed	57
37T03R	WEBSTER® Quadrapolar Catheter Fixed	58

37U00R	WEBSTER® Hexapolar Catheter Fixed	57
39D03X	Spare Parts and Others	89
39D03X	COOLFLOW® Pump Accessories	92
39D05X	Spare Parts and Others	89
39D06X	Spare Parts and Others	89
39D12X	Spare Parts and Others	89
39D12X5	Indifferent Electrodes and Corresponding Connection Cables	88
39D14X	COOLFLOW® Pump Accessories	92
39D14X	Spare Parts and Others	89
39D15X	Indifferent Electrodes and Corresponding Connection Cables	88
39D16X	Indifferent Electrodes and Corresponding Connection Cables	88
39D16X5	Indifferent Electrodes and Corresponding Connection Cables	88
39D19X	Indifferent Electrodes and Corresponding Connection Cables	88
39D21X	Spare Parts and Others	89
39D60X	Stockert EP Shuttle Accessories	90
39D60X10	Stockert EP Shuttle Accessories	90
39D60X	COOLFLOW® Pump Accessories	92
39D72X	Stockert EP Shuttle RF Generators	88
39D72X	Spare Parts and Others	89
39D75X	Stockert EP Shuttle RF Generators	88
39D76X	Stockert EP Shuttle RF Generators	88
39D79X	Stockert EP Shuttle RF Generators	88
39D82X	Indifferent Electrodes and Corresponding Connection Cables	88
39D82X	Spare Parts and Others	89
39D83X	Spare Parts and Others	89
39D90X	Spare Parts and Others	89
39D91X	Spare Parts and Others	89
39E43R	Spare Parts and Others	89
39E43R	Non-Navigation ABLATION CABLES	113
39E46R	Non-Navigation ABLATION CABLES	113
39E53S	Non-Navigation ABLATION CABLES	113
39E56S	Non-Navigation ABLATION CABLES	113
39E57U	Non-Navigation ABLATION CABLES	113
39E68R	Non-Navigation ABLATION CABLES	113
39E69R	Non-Navigation ABLATION CABLES	113
39E23R	Non-Navigation ABLATION CABLES	113
39F12M	Interface Cable with CARTO® XP System	112
39F23R	Non-Navigation ABLATION CABLES	113
39F24R	Non-Navigation DIAGNOSTIC CABLES	113
39F27R	Indifferent Electrodes and Corresponding Connection Cables	88
39F28X10	Stockert EP Shuttle Accessories	90
39F28X15	Stockert EP Shuttle Accessories	90
39F28X20	Stockert EP Shuttle Accessories	90
39F28X30	Stockert EP Shuttle Accessories	90
39F40R	Non-Navigation DIAGNOSTIC CABLES	113
39F41R	Non-Navigation DIAGNOSTIC CABLES	113
39F43R	Non-Navigation DIAGNOSTIC CABLES	113
39F44R	Non-Navigation DIAGNOSTIC CABLES	113
39F45X	SMARTABLATE™ System	85
39F47D	Non-Navigation DIAGNOSTIC CABLES	113
39F54R	Non-Navigation DIAGNOSTIC CABLES	113
39F55R	Non-Navigation DIAGNOSTIC CABLES	113
BDI35BBRT	THERMOCOOL® SF Bi-Directional Catheter	35
BDI35BDRT	THERMOCOOL® SF Bi-Directional Catheter	35
BDI35BFRT	THERMOCOOL® SF Bi-Directional Catheter	35
BDI35DDRT	THERMOCOOL® SF Bi-Directional Catheter	35
BDI35DFRT	THERMOCOOL® SF Bi-Directional Catheter	35
BDI35DJRT	THERMOCOOL® SF Bi-Directional Catheter	35
BDI35FFRT	THERMOCOOL® SF Bi-Directional Catheter	35
BDI35FJRT	THERMOCOOL® SF Bi-Directional Catheter	35
BDI35JJRT	THERMOCOOL® SF Bi-Directional Catheter	35
BNI35BBH	THERMOCOOL® SF NAV Bi-Directional Catheter	28
BNI35BDCT	THERMOCOOL® SF NAV Bi-Directional Catheter with curve visualization	29
BNI35BDH	THERMOCOOL® SF NAV Bi-Directional Catheter	28
BNI35BFCT	THERMOCOOL® SF NAV Bi-Directional Catheter with curve visualization	29
BNI35BFH	THERMOCOOL® SF NAV Bi-Directional Catheter	28
BNI35DDH	THERMOCOOL® SF NAV Bi-Directional Catheter	28
BNI35DFH	THERMOCOOL® SF NAV Bi-Directional Catheter	28
BNI35DJH	THERMOCOOL® SF NAV Bi-Directional Catheter	28
BNI35FFH	THERMOCOOL® SF NAV Bi-Directional Catheter	28
BNI35FJCT	THERMOCOOL® SF NAV Bi-Directional Catheter with curve visualization	29
BNI35FJH	THERMOCOOL® SF NAV Bi-Directional Catheter	28
BNI35JJH	THERMOCOOL® SF NAV Bi-Directional Catheter	28

CODE INDEX

C3CFAE	CARTO® 3 System Software Module	99
C3EXTY1	CARTO® 3 System Service Contracts	99
C3EXTY2	CARTO® 3 System Service Contracts	99
C3EXTY3	CARTO® 3 System Service Contracts	99
C3MERGE	CARTO® 3 System Software Module	99
C3PASO	CARTO® 3 System Software Module	99
C3PREMY1	CARTO® 3 System Service Contracts	99
C3PREMUPY1	CARTO® 3 System Service Contracts	99
C3PREMY2	CARTO® 3 System Service Contracts	99
C3PREMUPY2	CARTO® 3 System Service Contracts	99
C3PREMY3	CARTO® 3 System Service Contracts	99
C3PREMUPY3	CARTO® 3 System Service Contracts	99
C3RMT	CARTO® 3 System	97
C3SOUND	CARTO® 3 System Software Module	99
C3TOUCH	CARTO® 3 System Software Module	99
C3CNFDRPLY	CARTO® 3 Software System Module	99
C3CONFD	CARTO® 3 Software System Module	99
C3REPLAY	CARTO® 3 Software System Module	99
C3V4	CARTO® 3 Software System Module	99
CA400811	CARTO® 3 System Accessories	98
CA401214	CARTO® 3 System Accessories	98
CA404103	CARTO® 3 System Accessories	98
CA404104	CARTO® 3 System Accessories	98
CA540006	CARTO® 3 System Accessories	97
CA5400081	CARTO® 3 System Accessories	98
CA540011	CARTO® 3 System Accessories	97
CA540012	CARTO® 3 System Accessories	98
CA5400161	CARTO® 3 System Accessories	97
CA5400162	CARTO® 3 System Accessories	97
CA540017	CARTO® 3 System Accessories	98
CA540019	CARTO® 3 System Accessories	98
CA540021	CARTO® 3 System Accessories	98
CA540151	CARTO® 3 System Accessories	98
CB3410CT	CARTO® 3 System Cables	110
CB3412CT	CARTO® 3 System Cables	110
CB3434CT	CARTO® 3 System Cables	110
CFP001	COOLFLOW® Pump Set	91
CFP003	COOLFLOW® Pump Accessories	92
CFP006	COOLFLOW® Pump Accessories	92
CFPPV1	Service Contracts	92
CFPPVP1	Service Contracts	92
CFT001	COOLFLOW® Pump Tubing	91
CG2025CT	CARTO® 3 System Cables	110
CP240724F	CARTO® 3 System	97
CR3425CT	CARTO® 3 System Cables	110
CR3434CT	CARTO® 3 System Cables	110
CR7TCS4RT	CELSIUS® RMT Catheter	41
CR7TCSIRT	CELSIUS® RMT THERMOCOOL® Catheter	38
CREFP6	CARTO® 3 System External Reference Patch	101
CW-3902-30F	CARTO® 3 System Accessories	98
CW-3903-30F	CARTO® 3 System Accessories	98
CW417830F	CARTO® 3 System Accessories	97
KT5400103	CARTO® 3 System Accessories	97
CW540720N	CARTO® 3 System Accessories	98
CW540806N	CARTO® 3 System Accessories	98
CW540815N	CARTO® 3 System Accessories	98
CW540906N	CARTO® 3 System Accessories	98
CW540915N	CARTO® 3 System Accessories	98
CY1210CT	CARTO® 3 System Cables	110
CY1212CT	CARTO® 3 System Cables	110
D1085413	WEBSTER® HIS Catheter	51
D128207	PENTARAY® NAV eco Catheter	47
D128208	PENTARAY® NAV eco Catheter	47
D128210	PENTARAY® NAV eco Catheter	47
D128211	PENTARAY® NAV eco Catheter	47
D128622	REVERSE CABLES	114
D128624	CARTO® 3 System Cables	110
D128709	REVERSE CABLES	114
D129704	Interface SMARTABLATE™ System Cables	112
D129705	Interface Cable EP Shuttle RF Generator	112
D129707	Interface SMARTABLATE™ System Cables	112
D130302	Interface SMARTABLATE™ System Cables	112
D130303	Interface SMARTABLATE™ System Cables	112

D131501	THERMOCOOL® SF NAV Uni-Directional Catheter with curve visualization	29
D131502	THERMOCOOL® SF NAV Uni-Directional Catheter with curve visualization	29
D131503	THERMOCOOL® SF NAV Uni-Directional Catheter with curve visualization	29
D131504	THERMOCOOL® SF NAV Uni-Directional Catheter with curve visualization	29
D131601	THERMOCOOL® SF Uni-Directional Catheter	35
D131602	THERMOCOOL® SF Uni-Directional Catheter	35
D131603	THERMOCOOL® SF Uni-Directional Catheter	35
D131604	THERMOCOOL® SF Uni-Directional Catheter	35
D131801	THERMOCOOL® SF NAV Uni-Directional Catheter	27
D131802	THERMOCOOL® SF NAV Uni-Directional Catheter	27
D131803	THERMOCOOL® SF NAV Uni-Directional Catheter	27
D131804	THERMOCOOL® SF NAV Uni-Directional Catheter	27
D132214	nMARQ™	25
D132701	THERMOCOOL SMARTTOUCH® Bi-Directional Catheter	27
D132702	THERMOCOOL SMARTTOUCH® Bi-Directional Catheter	27
D132703	THERMOCOOL SMARTTOUCH® Bi-Directional Catheter	27
D132704	THERMOCOOL SMARTTOUCH® Bi-Directional Catheter	27
D132704	THERMOCOOL SMARTTOUCH® Bi-Directional Catheter	27
D133601	THERMOCOOL SMARTTOUCH® Uni-Directional Catheter	26
D133602	THERMOCOOL SMARTTOUCH® Uni-Directional Catheter	26
D133603	THERMOCOOL SMARTTOUCH® Uni-Directional Catheter	26
D133701	nMARQ™ System Cables	111
D134107	nMARQ™ System Monitor	81
D134301	LASSO® 2515 NAV eco Variable Catheter	45
D134302	LASSO® 2515 NAV eco Variable Catheter	45
D134401	CARTO® 3 System Cables	110
D134801	THERMOCOOL SMARTTOUCH® SF Bi-Directional Catheter	26
D134802	THERMOCOOL SMARTTOUCH® SF Bi-Directional Catheter	26
D134803	THERMOCOOL SMARTTOUCH® SF Bi-Directional Catheter	26
D134804	THERMOCOOL SMARTTOUCH® SF Bi-Directional Catheter	26
D134805	THERMOCOOL SMARTTOUCH® SF Bi-Directional Catheter	26
D134701	THERMOCOOL SMARTTOUCH® SF Uni-Directional Catheter	26
D134702	THERMOCOOL SMARTTOUCH® SF Uni-Directional Catheter	26
D134703	THERMOCOOL SMARTTOUCH® SF Uni-Directional Catheter	26
D134901	LASSO® NAV eco Catheter	45
D134902	LASSO® NAV eco Catheter	45
D134903	LASSO® NAV eco Catheter	45
D134904	LASSO® NAV eco Catheter	45
D134905	LASSO® NAV eco Catheter	45
D134906	LASSO® NAV eco Catheter	45
D135303	WEBSTER® CS Uni-Directional Catheter	49
D135304	WEBSTER® CS Uni-Directional Catheter	49
D135501	CELSIUS FLTR™ 8 mm Uni-Directional Catheter	40
D135502	CELSIUS FLTR™ 8 mm Uni-Directional Catheter	40
D135901	CELSIUS FLTR™ 8 mm Bi-Directional Catheter	40
D136301	nMARQ™ System	81
D140010	MOBICATH® Sheath	66
D140011	MOBICATH® Sheath	66
D728260RT	WEBSTER® Duo-Decapolar Catheter	60
D7L2015CT	LASSO® Duo-Decapolar Catheter	48
D7L2020CT	LASSO® Duo-Decapolar Catheter	48
DLN1215CT	LASSO® NAV Catheter	46
DLN1220CT	LASSO® NAV Catheter	46
DLN1225CT	LASSO® NAV Catheter	46
DLN2215CT	LASSO® NAV Catheter	46
DLN2220CT	LASSO® NAV Catheter	46
DLN2225CT	LASSO® NAV Catheter	46
EM5050011	CARTO® 3 System Cables	110
EM5050060	CARTO® 3 System Cables	110
EM540003	CARTO® 3 System Accessories	97
EM540015	CARTO® 3 System Accessories	98
EM540020	CARTO® 3 System Accessories	98
EM5400201	CARTO® 3 System Accessories	98
EM540200	CARTO® 3 System	97
EM5402020	CARTO® 3 System	97
FG540000	CARTO® 3 System	97
FG540000U	CARTO® 3 System	97
F6QF005CT	WEBSTER® Quadrapolar Catheter Fixed	51
F6QA005CT	WEBSTER® Quadrapolar Catheter Fixed	51
FND01900	HEARTSPAN™ Transseptal Needles	68
FND01901	HEARTSPAN™ Transseptal Needles	68
FND01902	HEARTSPAN™ Transseptal Needles	68
FND01903	HEARTSPAN™ Transseptal Needles	68



CODE INDEX

KT0001427	CARTO® 3 System Accessories	98
KT0001429	CARTO® 3 System Accessories	98
KT0001438	CARTO® 3 System Accessories	98
KT0001439	CARTO® 3 System Accessories	98
KT0001440	CARTO® 3 System Accessories	98
KT5400101	CARTO® 3 System	97
KT5400102	CARTO® 3 System	97
KT5400124	CARTO® 3 System Software Module	99
KT5400127	CARTO® 3 System Software Module	99
KT5400128	CARTO® 3 System Software Module	99
KT5400129	CARTO® 3 System Software Module	99
KT5400130	CARTO® 3 System Software Module	99
KT5400134	CARTO® 3 System Software Module	99
KT540059	CARTO® 3 Constellation exten. CBL. Kit	98
LP37688	QSTIM® Catheter Temporary Pervenous Pacing Leads	67
MA540013	CARTO® 3 System	97
MA5400501	CARTO® 3 System Accessories	98
MA5400801	CARTO® 3 System Accessories	98
MA5402100	SMARTABLATE™ System	97
M490005	SMARTABLATE™ System	85
M490010	SMARTABLATE™ System	85
M4900106	SMARTABLATE™ System	85
M490012	SMARTABLATE™ System	85
M490013	SMARTABLATE™ System	85
M490014	SMARTABLATE™ System	85
M490016	SMARTABLATE™ System	85
M490017	SMARTABLATE™ System	85
M490018	SMARTABLATE™ System	85
M490019	Interface SMARTABLATE™ System Cables	112
M490020	Interface SMARTABLATE™ System Cables	112
M490021	SMARTABLATE™ System	85
M490023	SMARTABLATE™ System	85
M490025	SMARTABLATE™ System	85
M490026	SMARTABLATE™ System	85
M490027	SMARTABLATE™ System	85
M490028	SMARTABLATE™ System	85
M490029	SMARTABLATE™ System	85
M490030	SMARTABLATE™ System	85
M490031	SMARTABLATE™ System	85
M490034	Interface SMARTABLATE™ System Cables	112
M490034	SMARTABLATE™ System	85
M490035	Interface SMARTABLATE™ System Cables	112
M490035	SMARTABLATE™ System	85
M490037	SMARTABLATE™ System	85
M490043	Interface SMARTABLATE™ C System ables	112
M490043	SMARTABLATE™ System	85
M490044	Interface SMARTABLATE™ System Cables	112
M490044	SMARTABLATE™ System	85
M4900602	SMARTABLATE™ System	85
M4900603	SMARTABLATE™ System	85
M4900605	SMARTABLATE™ System	85
M4900606	SMARTABLATE™ System	85
M581001	nMARQ™ System Cables	111
M581001	nMARQ™ System Spare Parts	82
M581003	nMARQ™ System Cables	111
M581003	nMARQ™ System Spare Parts	82
M581101	nMARQ™ System Cables	111
M581101	nMARQ™ System Spare Parts	82
M581201	nMARQ™ System Cables	111
M581202	nMARQ™ System Cables	111
M581202	nMARQ™ System Spare Parts	82
M581501	nMARQ™ System Cables	111
M581501	nMARQ™ System Spare Parts	82
M581801	nMARQ™ System Cables	111
M581801	nMARQ™ System Spare Parts	82
M582002	nMARQ™ System Spare Parts	82
M582005	nMARQ™ System Spare Parts	82
M583107	nMARQ™ System Spare Parts	82
M583119	nMARQ™ System Spare Parts	82
M583120	nMARQ™ System Spare Parts	82
M583121	nMARQ™ System Spare Parts	82
M583122	nMARQ™ System Spare Parts	82
M583161	nMARQ™ System	81

M583162	nMARQ™ System Cables	111
M583163	nMARQ™ System Spare Parts	82
M583164	nMARQ™ System Spare Parts	82
M583165	nMARQ™ System Spare Parts	82
M583166	nMARQ™ System Spare Parts	82
M583169	nMARQ™ System Spare Parts	82
M583174	nMARQ™ System Spare Parts	82
M583176	nMARQ™ System Spare Parts	82
M585801	nMARQ™ System Spare Parts	82
M589702	nMARQ™ System Cables	111
M589703	nMARQ™ System Cables	111
M589703	nMARQ™ System Spare Parts	82
M589704	nMARQ™ System Cables	111
M591102	nMARQ™ System Generator components and spare parts	82
M591106	nMARQ™ System Generator components and spare parts	82
M591107	nMARQ™ System Generator components and spare parts	82
M593401	nMARQ™ System	81
nMQEXTY1	nMARQ™ System Service Contracts	83
nMQEXTY2	nMARQ™ System Service Contracts	83
nMQEXTY3	nMARQ™ System Service Contracts	83
nMQPLAUPG	nMARQ™ System Service Contracts	83
nMQPLAY1	nMARQ™ System Service Contracts	83
nMQPLAY2	nMARQ™ System Service Contracts	83
nMQPLAY3	nMARQ™ System Service Contracts	83
nMQPMY1	nMARQ™ System Service Contracts	83
nMQPMY2	nMARQ™ System Service Contracts	83
nMQPMY3	nMARQ™ System Service Contracts	83
NR7TCSIY	NAVISTAR® RMT THERMOCOOL® Catheter	32
NR7TCS4Y	NAVISTAR® RMT 4 mm Catheter	32
PL5J010P	QSTIM® Catheter Temporary Pervenous Pacing Leads	67
PL5M010P	QSTIM® Catheter Temporary Pervenous Pacing Leads	67
PL6M010P	QSTIM® Catheter Temporary Pervenous Pacing Leads	67
PLIS008	Pervenous Lead introducer Set	67
PLIS009	Pervenous Lead introducer Set	67
PLIS010	Pervenous Lead introducer Set	67
PLIS011	Pervenous Lead introducer Set	67
R7D282CT	DECANAV™ Catheter	47
R7F282CT	DECANAV™ Catheter	47
SAT001	SMARTABLATE™ System	85
SHUTBC1	Service Contracts	90
SHUTPV1	Service Contracts	90
SHUTPVP1	Service Contracts	90
SNDSTR10	SOUNDSTAR® 3D Ultrasound Catheter	76
SNDSTR10G	SOUNDSTAR® 3D Ultrasound Catheter	76
ValleyLab	nMARQ™ System Cables	111
WCR1503	COHEREX WAVECREST® LAA Implant	72
WCR1513	COHEREX WAVECREST® LAA Implant	72
WCR1523	COHEREX WAVECREST® LAA Implant	72
WCR1530	COHEREX WAVECREST® LAA Implant	72
WCR1540	COHEREX WAVECREST® LAA Implant	72
WCR1541	COHEREX WAVECREST® LAA Implant	72
WCR1551	COHEREX WAVECREST® LAA Implant	72



The third-party trademarks used herein are trademarks of their respective owners.
Capitalized product names are trademarks of Biosense Webster, Inc.

Please refer to the instructions for use accompanying each medical device herein mentioned. This promotional document is intended for healthcare professionals only. As part of Biosense Webster policy of continuous development, we reserve the right to change product specifications without prior notification.
©Johnson & Johnson Medical NV/SA. 2015. All rights reserved.

Biosense Webster EMEA,

A Division of Johnson & Johnson Medical N.V./S.A.
Leonardo Da Vincilaan 15
1831 Diegem - Belgium
Tel. : +32 2 746 3000
Fax: +32 2 746 3405

Biosense Webster, Inc.

3333 Diamond Canyon Road
Diamond Bar, CA 91765, USA
Tel: 909-839-8500
Tel: 800-729-9010
Fax: 909-468-2905